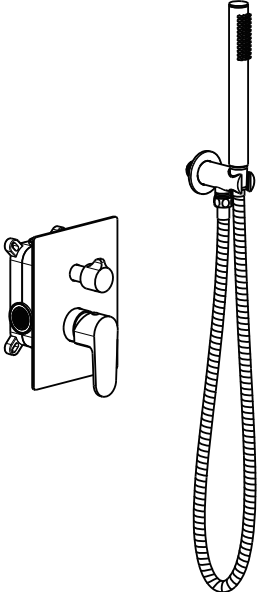
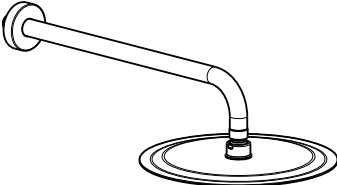
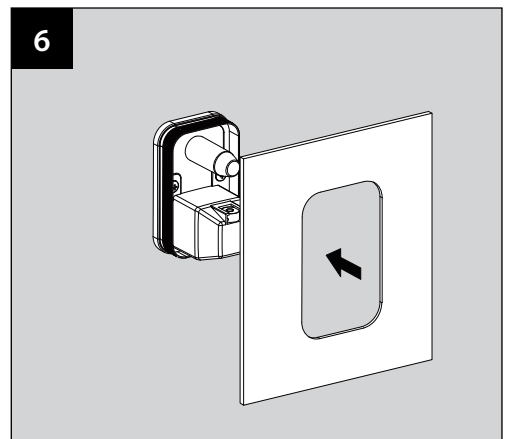
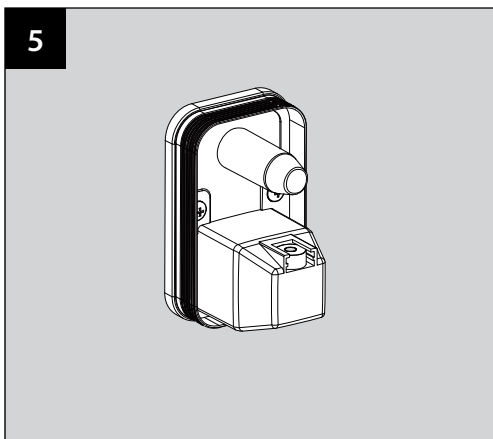
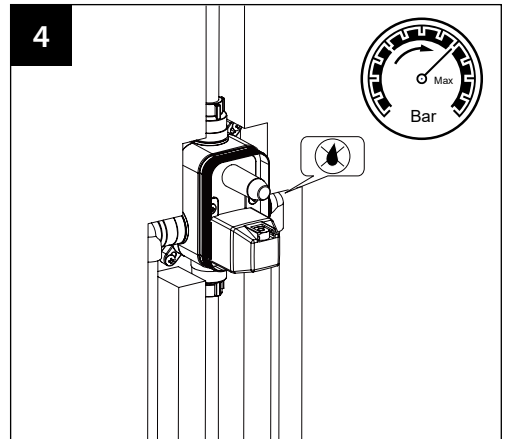
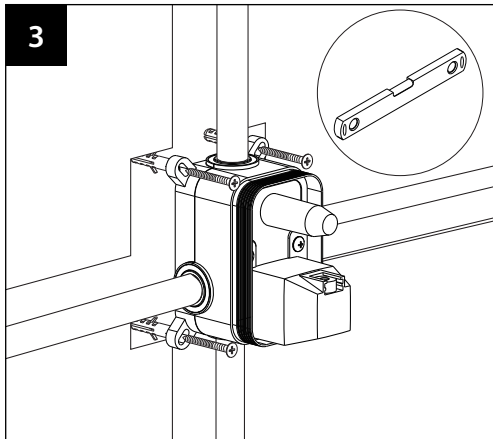
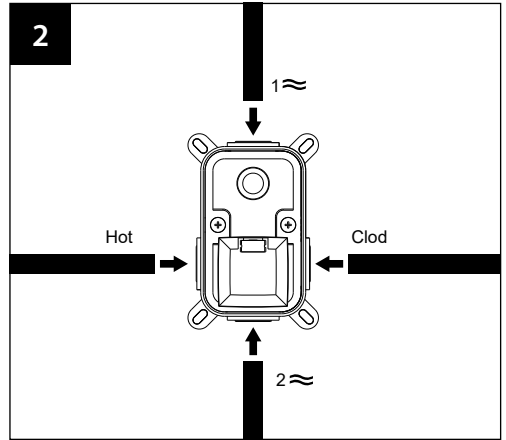
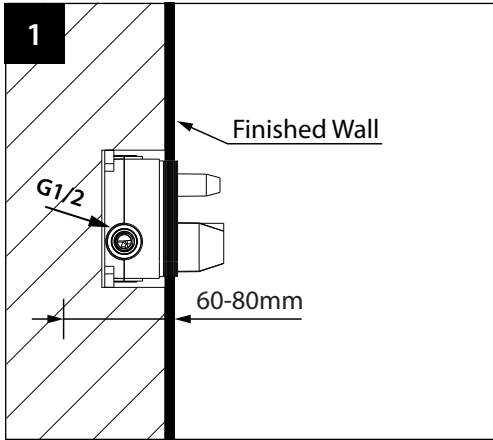
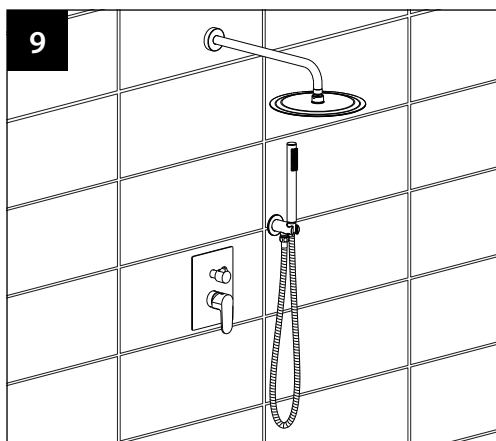
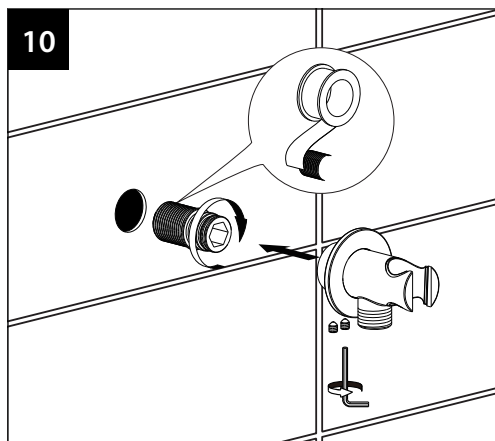
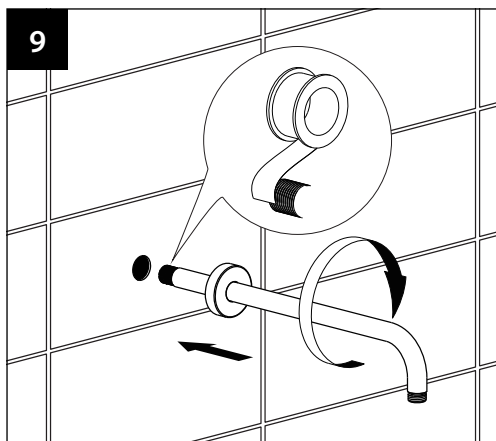
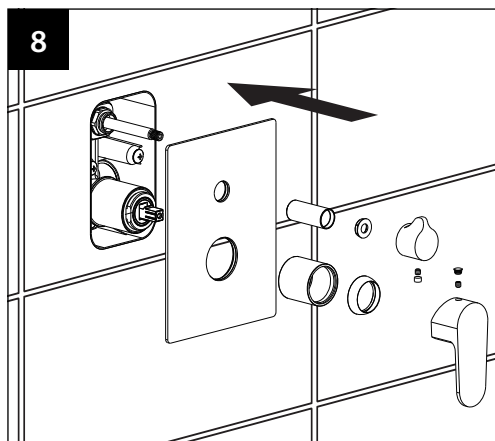
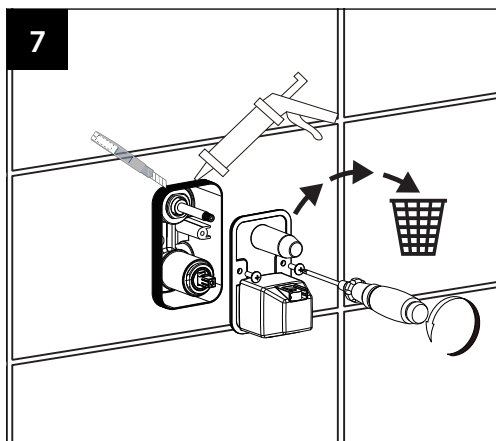


INSTALLATION INSTRUCTIONS

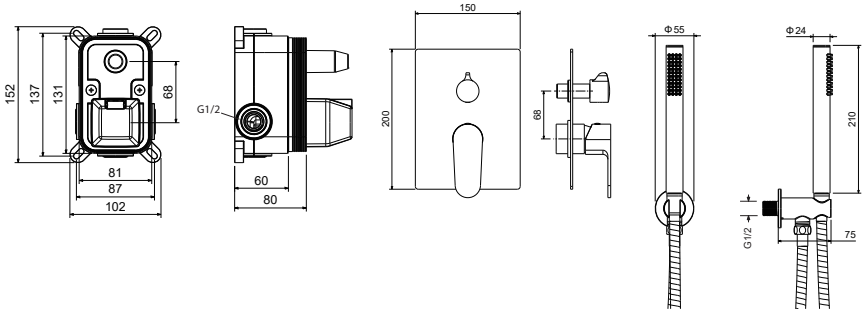
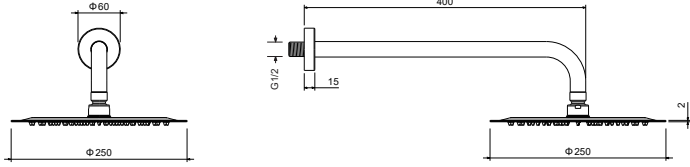


Installation





Dimension



Suggested Installation Chart

Height of All User	H		150 cm	160 cm	170 cm	180 cm	190 cm	205 cm
Shower Head	A		200	210	210	220	230	240
Body Jet	B		130	130	140	155	160	175
Hand Shower	C		120	120	130	135	140	155
Control Panels	D		105	115	120	125	130	135
Body Jet	E		60	60	70	80	90	95
Lower Spout	F		60	60	60	60	60	60

