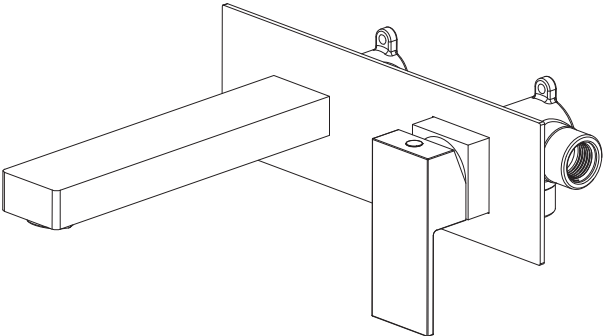


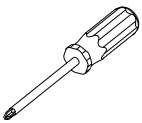
INSTALLATION INSTRUCTIONS



Before Installation

- We recommend that this product is installed by a qualified professional plumber / contractor.
- Please check this product immediately to ensure that it has not been damaged and is complete. Before installation, please make sure this product is the correct model and you have all the parts required for installation and using.
- Please flush the water system to ensure that no metal swarf, solder, and other impurities can enter the taps.
- Turn off water supply before commencing work, this should be done at the isolating valves of inlet feeds if fitted or main stopcock.
- Please read these instructions carefully and keep it for future reference.

Tools you may need



Phillips screwdriver

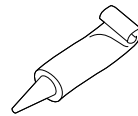


x2

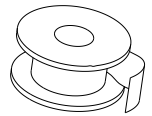
Adjustable wrench



Bucket

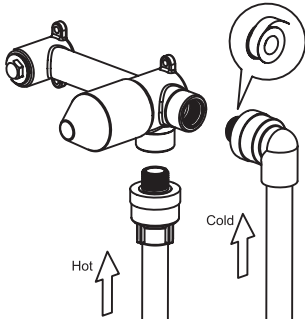


Silicone sealant



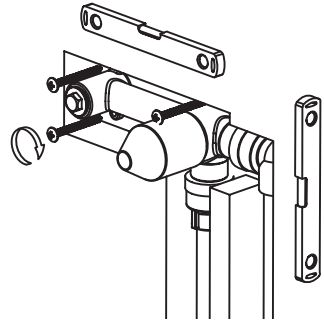
Pipe tape

1



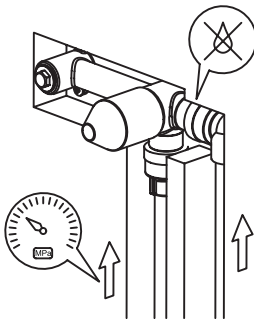
Connect the water inlet pipe to the concealed valve, right for cold water, bottom for hot water. Apply the teflon tape at the thread to avoid leakage.

2



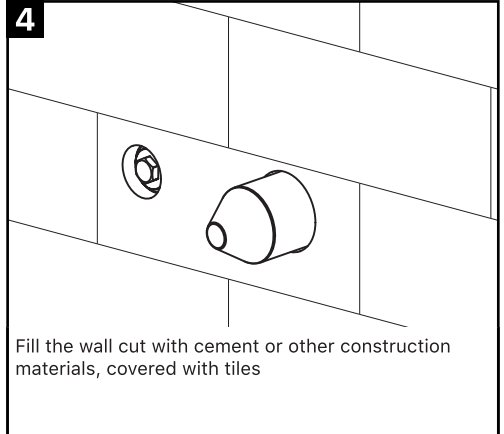
Apply wall cut according to product dimension, suggested wall cut depth is 46-76mm. Adjusted the valve at horizontal position, then fix the valve by the supplied screws to the wall.

3



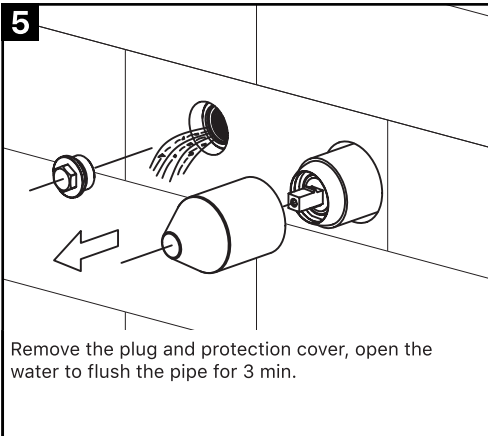
Apply the water leakage test.

4



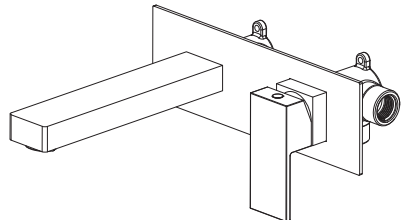
Fill the wall cut with cement or other construction materials, covered with tiles

5



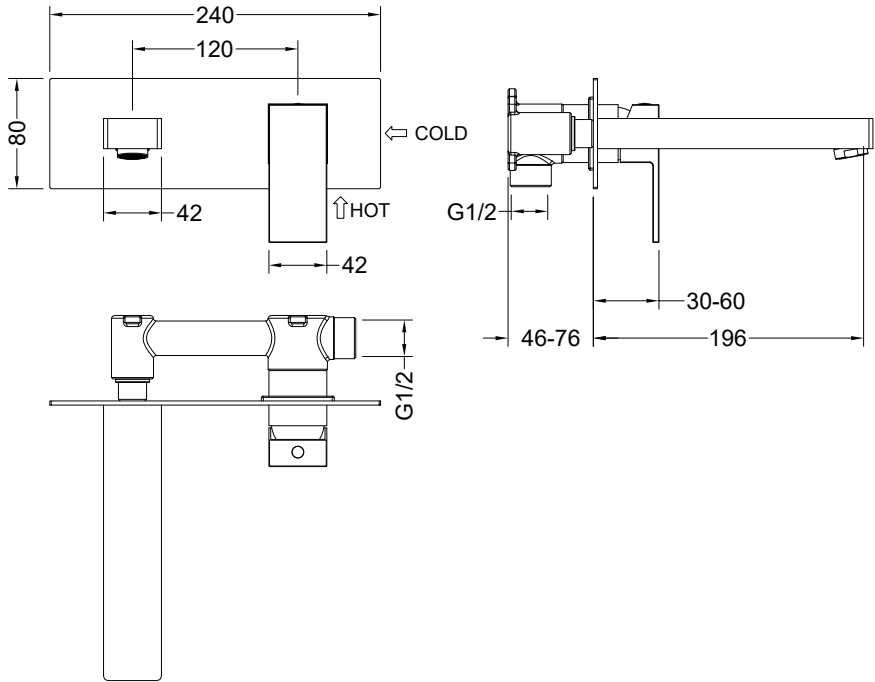
Remove the plug and protection cover, open the water to flush the pipe for 3 min.

6



Install the spout connector, trim plates, basin spout and connector accordingly.
Note: The spout connector need to apply the teflon tape to avoid leakage.

Dimension



Cleaning and care

Our Kitchen and bathroom products are made of solid brass to comply with the needs of the market with regard to design and functionality. To avoid damage to the product, it is necessary to take proper care of it.

Clean the faucet often with a soft cloth to keep it looking like new. For heavy cleaning you can use mild liquid detergents or non-abrasive liquid polisher. Rinse with water and dry with a soft cloth. Avoid abrasive cleaners, steel wool and harsh chemicals as these will dull the finish and void your warranty.