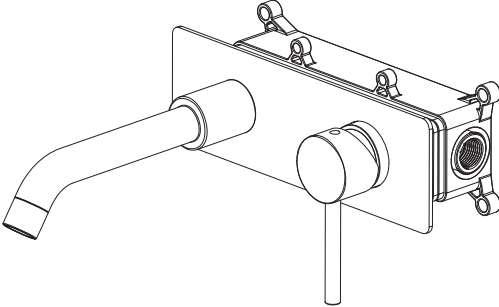
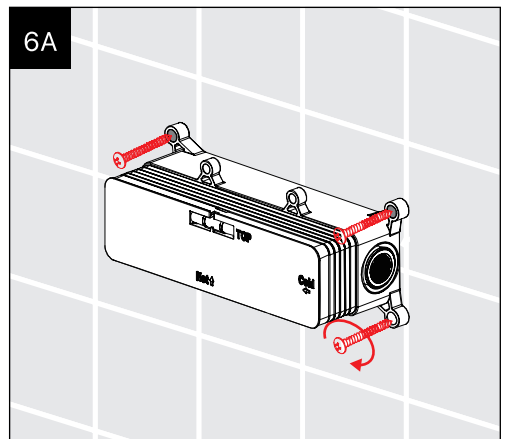
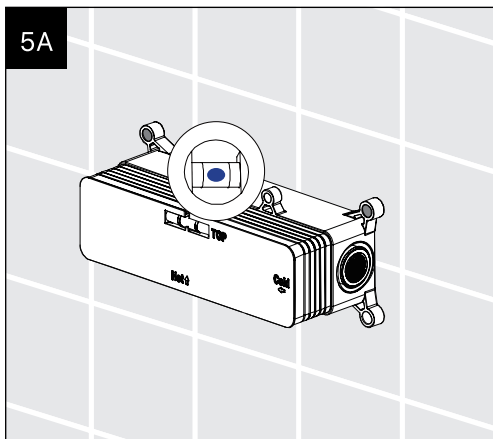
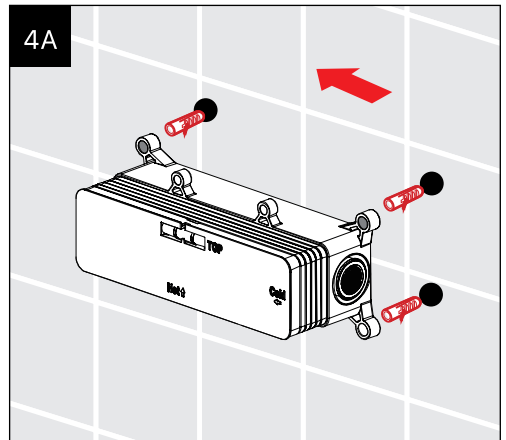
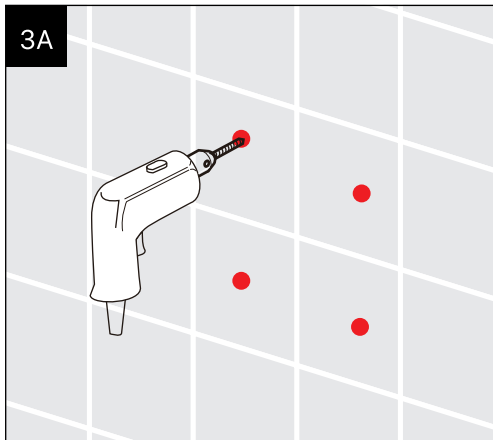
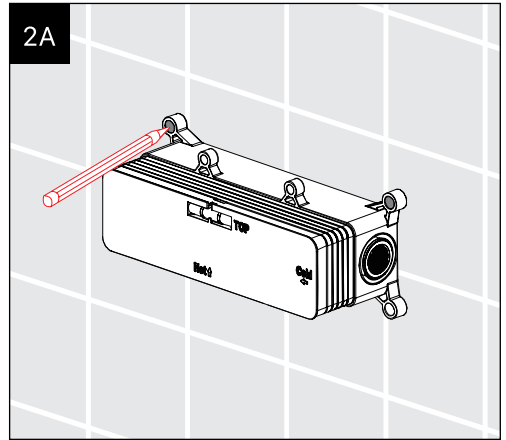
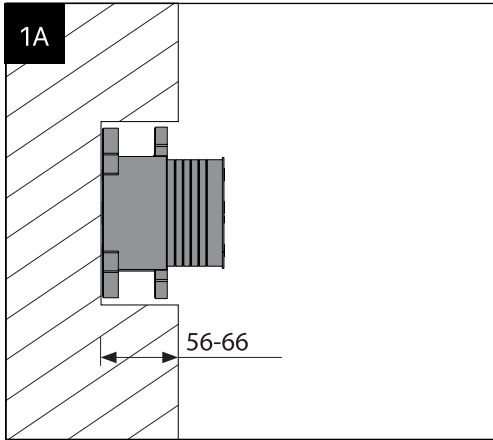


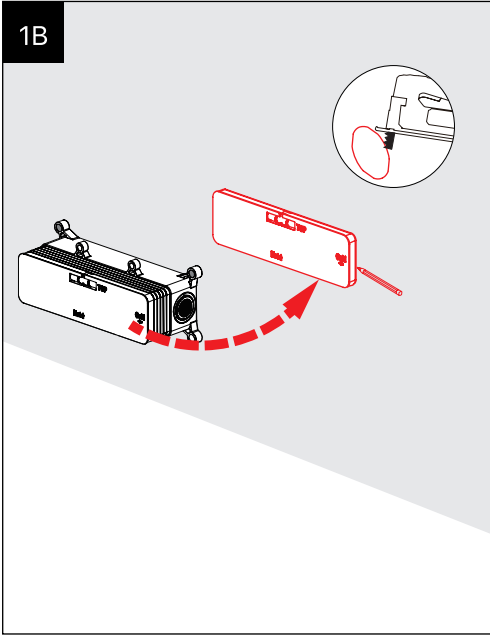
# INSTALLATION INSTRUCTIONS



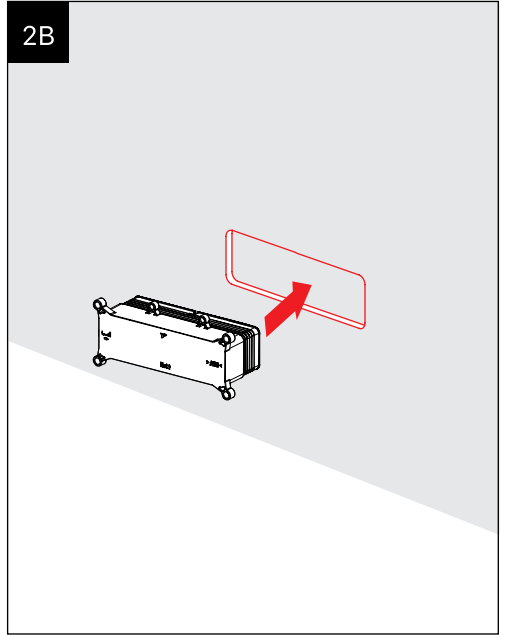
# Installation-Solid Wall



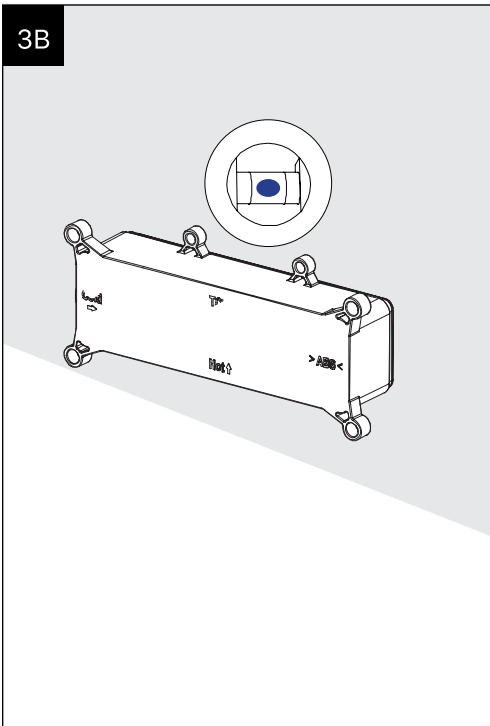
1B



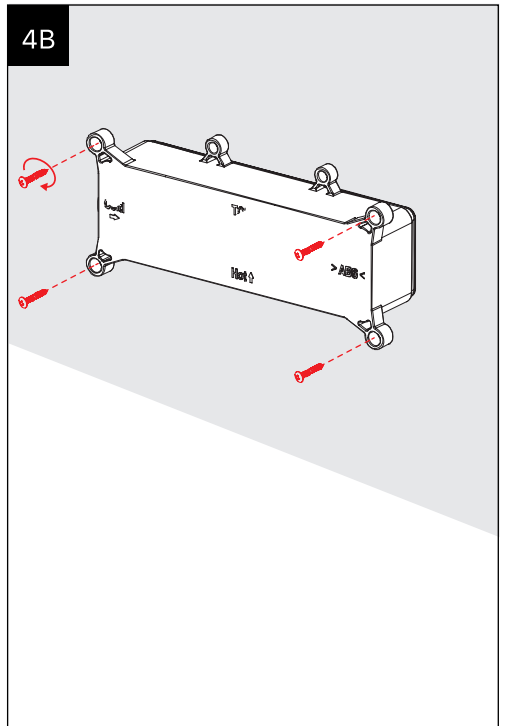
2B



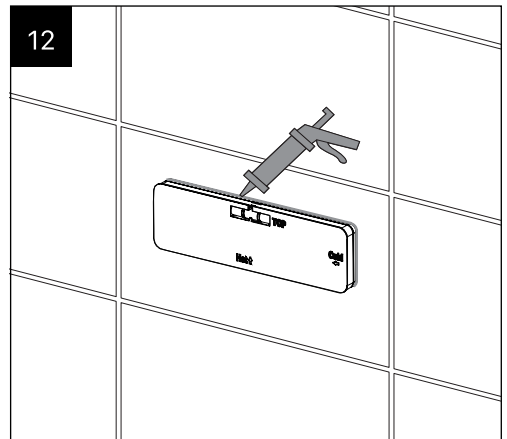
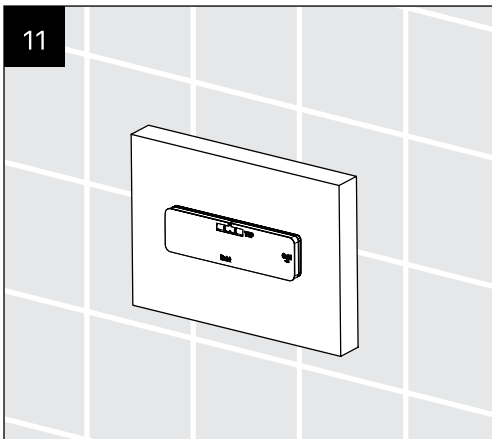
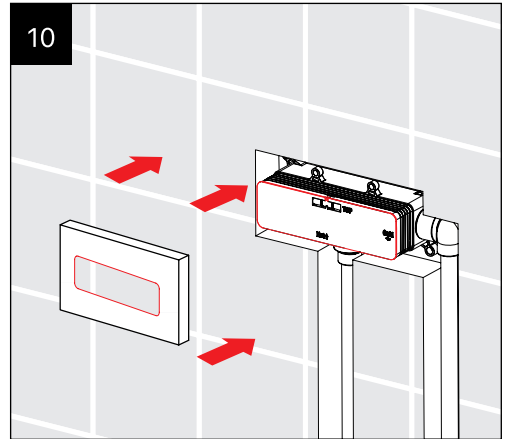
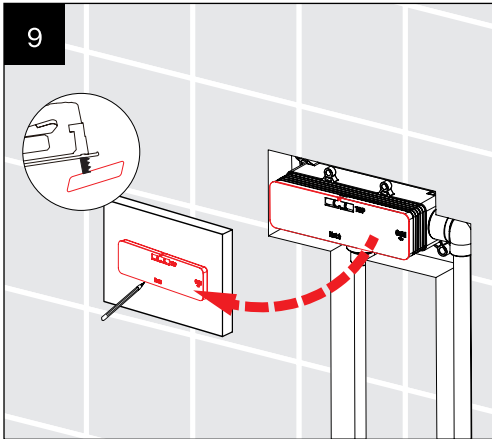
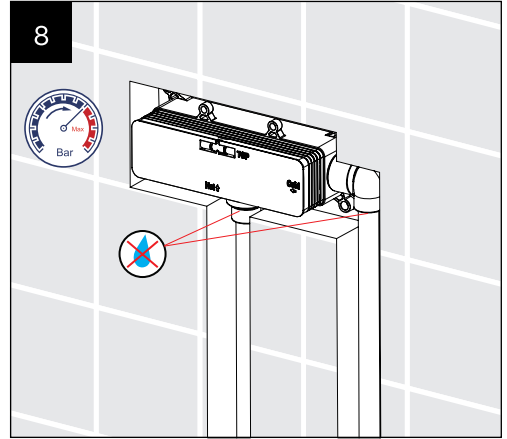
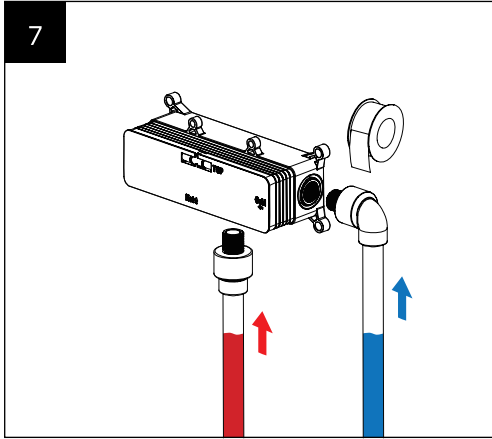
3B



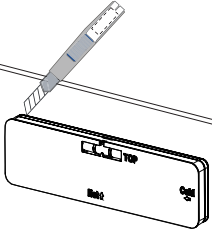
4B



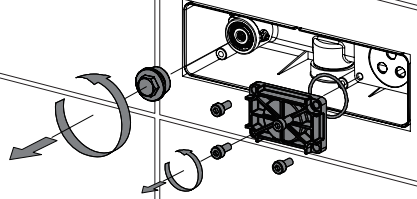
# Installation



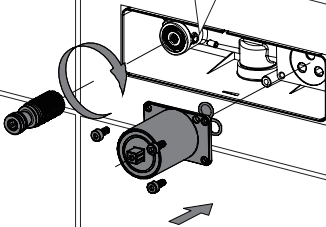
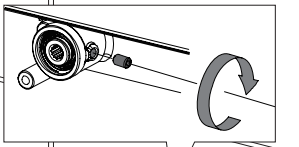
13



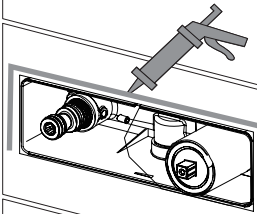
14



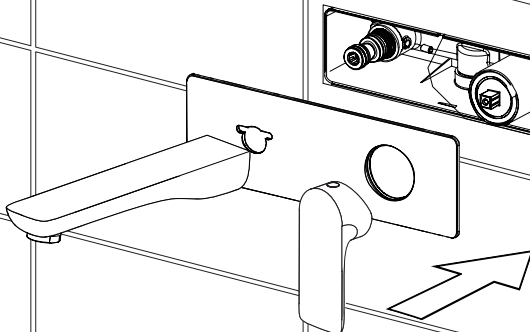
15



16



17

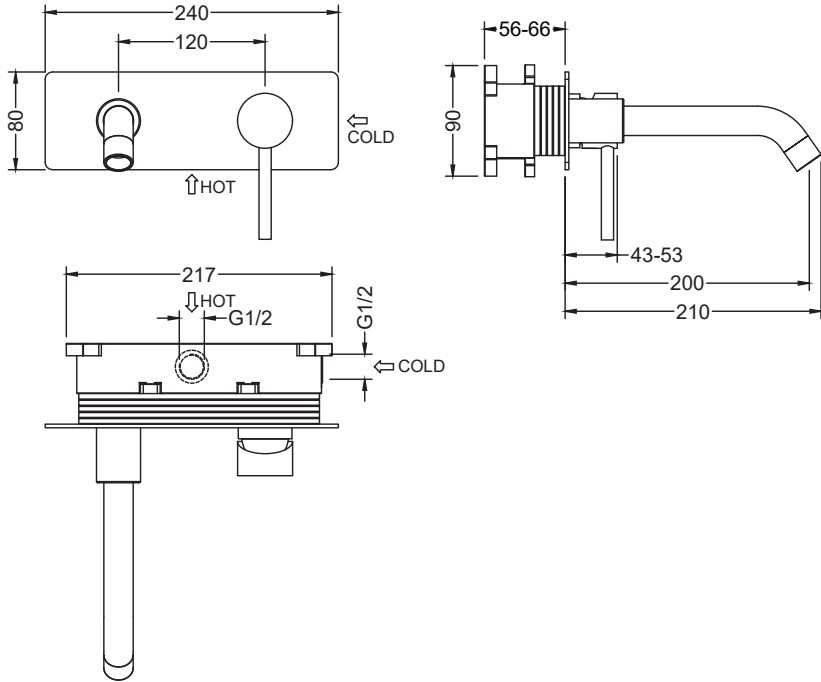




---

## Dimension

---



## Cleaning and care

---

Our Kitchen and bathroom products are made of solid brass to comply with the needs of the market with regard to design and functionality. To avoid damage to the product, it is necessary to take proper care of it.

Clean the faucet often with a soft cloth to keep it looking like new. For heavy cleaning you can use mild liquid detergents or non-abrasive liquid polisher. Rinse with water and dry with a soft cloth. Avoid abrasive cleaners, steel wool and harsh chemicals as these will dull the finish and void your warranty.