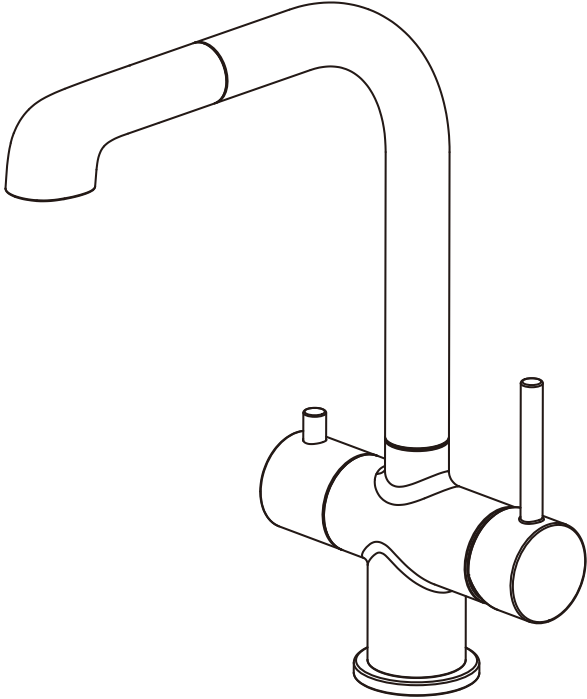
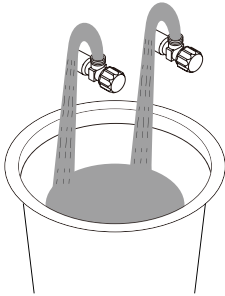


INSTALLATION INSTRUCTIONS



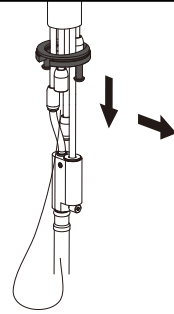
Installation

1



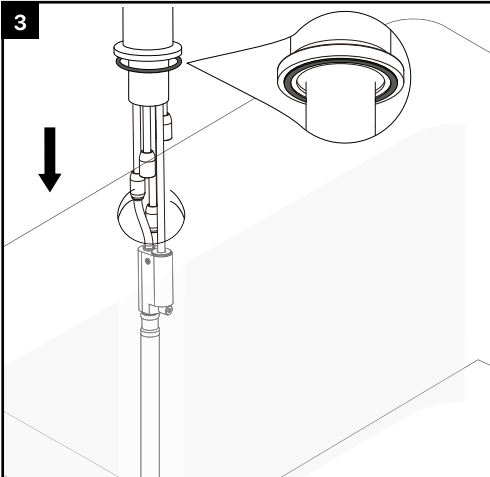
Shut off water suppliers. Remove the old faucet, clean the mounting surface.
Note: For first time install, flush the pipes first by open the angel valve to run 60s.

2



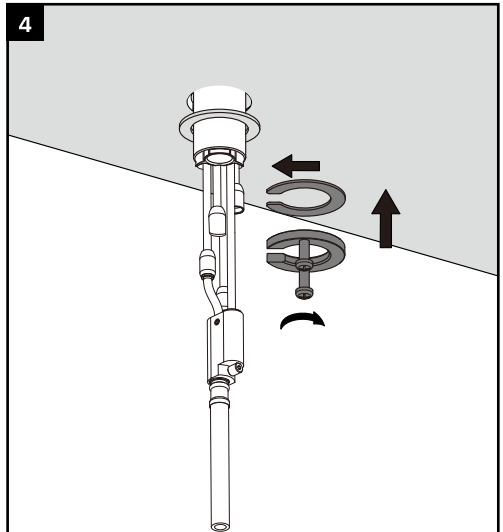
Remove the mounting hardware from the mounting pipe.

3



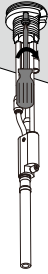
Put the rubber O-ring into the bottom gap of faucets then Insert faucet into faucet hole.

4



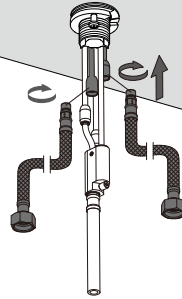
From underneath the countertop, Slide rubber washer, metal washer and mounting bracket onto the thread shank.

5



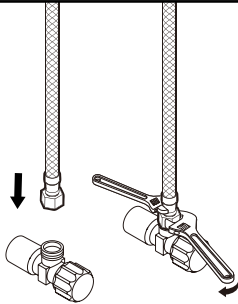
Adjust position of faucet body if necessary, Then tighten the mounting nuts with phillips screwdriver until snug.

6



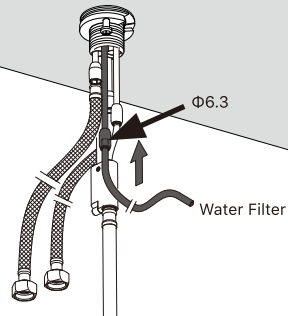
From the under-side of counter, screw the flexible hoses into the mixer body and fully hand tighten.

7



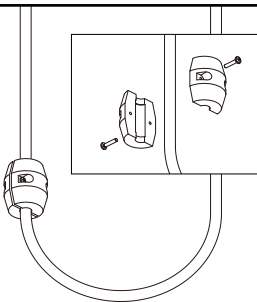
Connect and tighten the supply hoses by using two adjustable wrenches (avoid twisting or kinking).

8



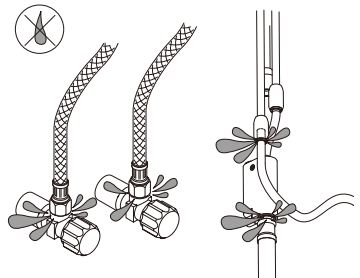
Connect to water filter machine.

9



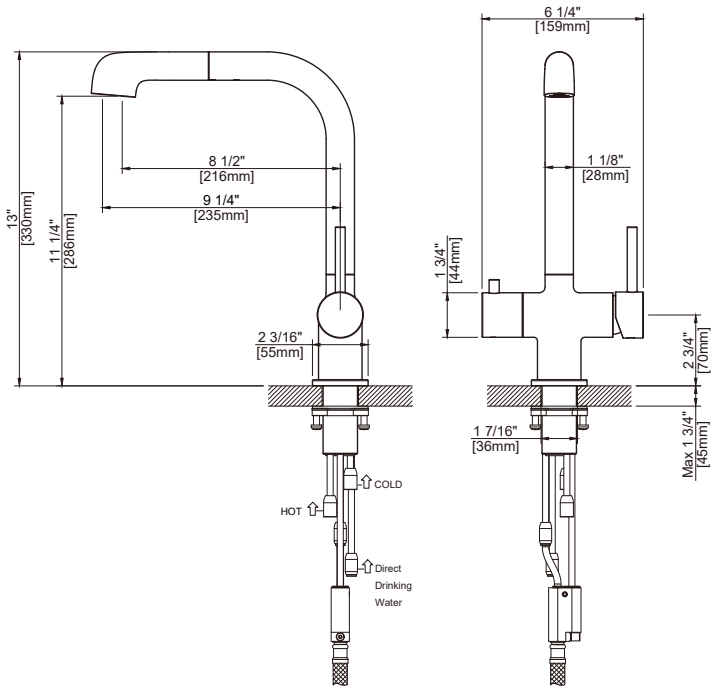
Install the hose weight on the outlet side of the hose, near the loop.

10



Turn on the water suppliers, Shut off the faucet and check for leaks.

Dimension



Cleaning and care

Our Kitchen and bathroom products are made of solid brass to comply with the needs of the market with regard to design and functionality. To avoid damage to the product, it is necessary to take proper care of it.

Clean the faucet often with a soft cloth to keep it looking like new. For heavy cleaning you can use mild liquid detergents or non-abrasive liquid polisher. Rinse with water and dry with a soft cloth. Avoid abrasive cleaners, steel wool and harsh chemicals as these will dull the finish and void your warranty.