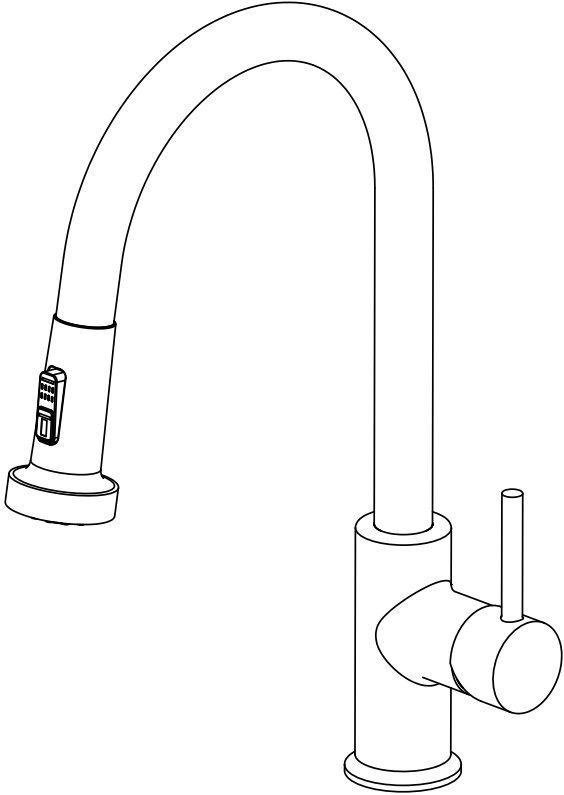
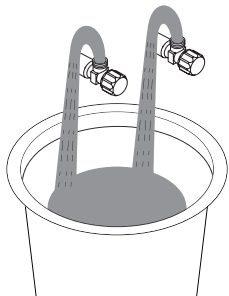


INSTALLATION INSTRUCTIONS



Installation

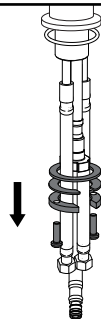
1



Shut off water suppliers. Remove the old faucet, clean the mounting surface.

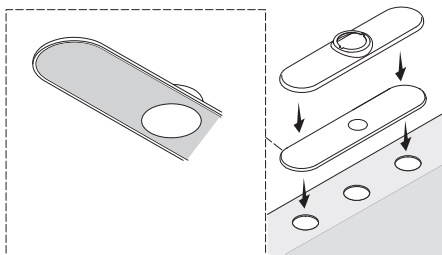
Note: For first time install, flush the pipes first by open the angel valve to run 60s.

2



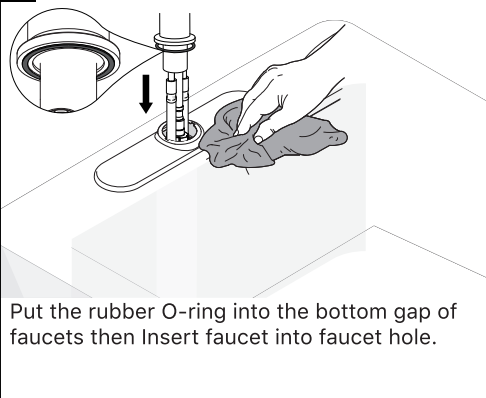
Remove the mounting hardware from the mounting pipe.

3 For Three-Hole Sinks:



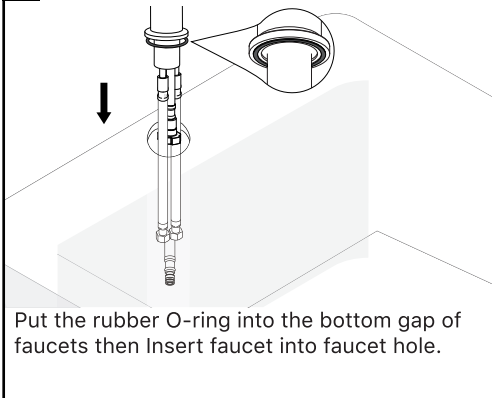
Place stainless (non-staining) deck plate and deck plate gasket onto sink, secure it with silicone. **Note: the deck plate need purchase separately.**

4 For Three-Hole Sinks:



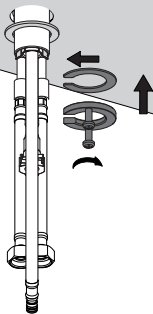
Put the rubber O-ring into the bottom gap of faucets then Insert faucet into faucet hole.

5 For Single-Hole Sinks:



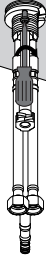
Put the rubber O-ring into the bottom gap of faucets then Insert faucet into faucet hole.

6



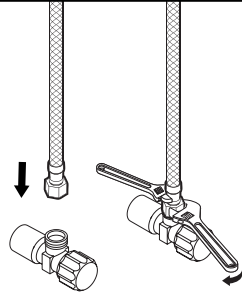
From underneath the countertop, Slide rubber washer, metal washer and mounting bracket onto the thread shank.

7



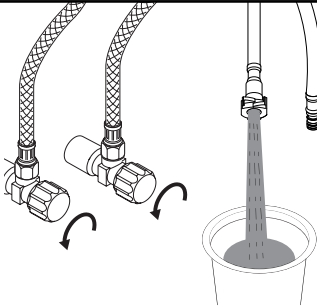
Adjust position of faucet body if necessary, Then tighten the mounting nuts with phillips screwdriver until snug.

8



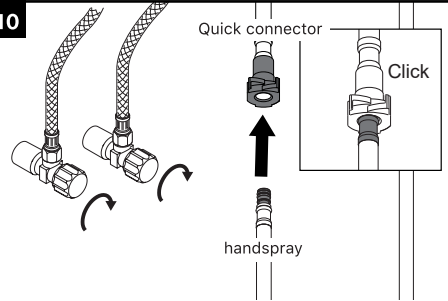
Connect and tighten the supply hoses by using two adjustable wrenches (avoid twisting or kinking).

9



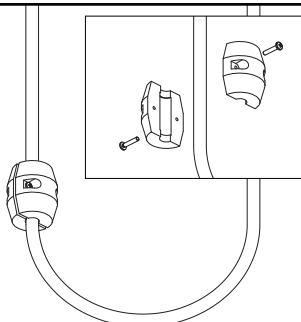
Turn on water suppliers. Place a bucket below outlet tube, slowly open and close the supply angle valves, **This will prevent debris from being lodged in the hose and sprayer.**

10



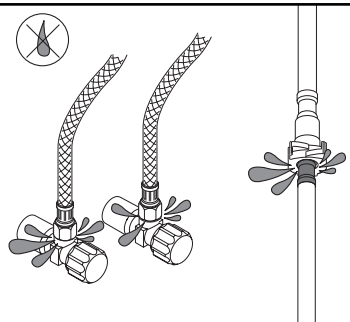
Shut off water suppliers. Push the handspray hose into the quick connector until you hear a click sound. Make sure it's secured.

11



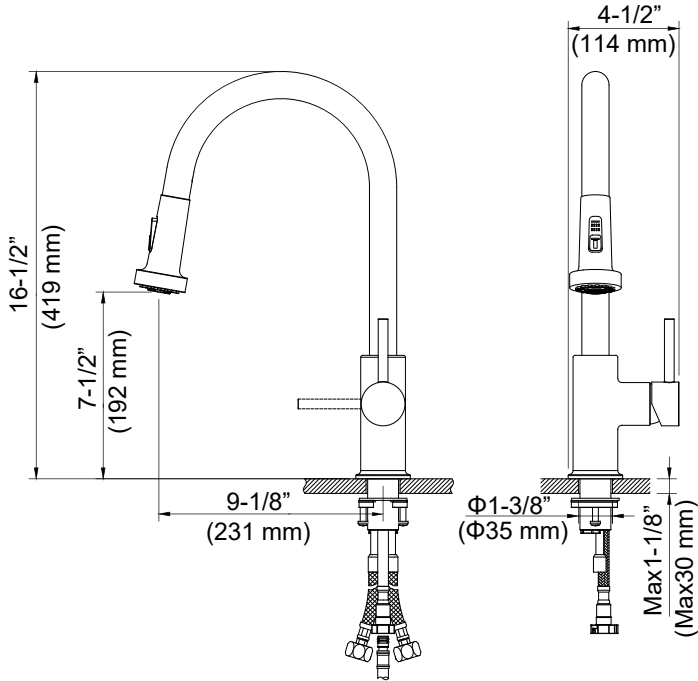
Install the hose weight on the outlet side of the hose, near the loop. **Test the handspray hose. If it does not retract smoothly, reposition the weight.**

12



Turn on the water suppliers, Shut off the faucet and check for leaks.

Dimension



Cleaning and care

Our Kitchen and bathroom products are made of solid brass to comply with the needs of the market with regard to design and functionality. To avoid damage to the product, it is necessary to take proper care of it.

Clean the faucet often with a soft cloth to keep it looking like new. For heavy cleaning you can use mild liquid detergents or non-abrasive liquid polisher. Rinse with water and dry with a soft cloth. Avoid abrasive cleaners, steel wool and harsh chemicals as these will dull the finish and void your warranty.