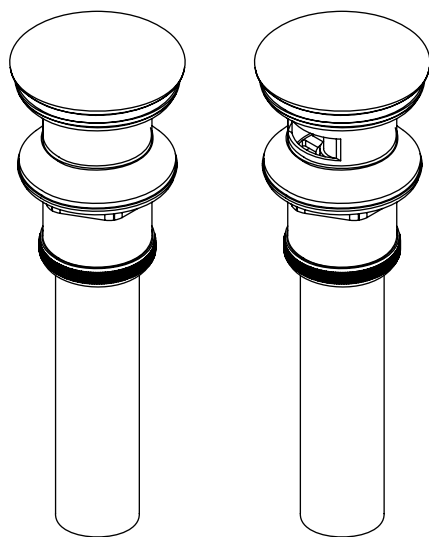
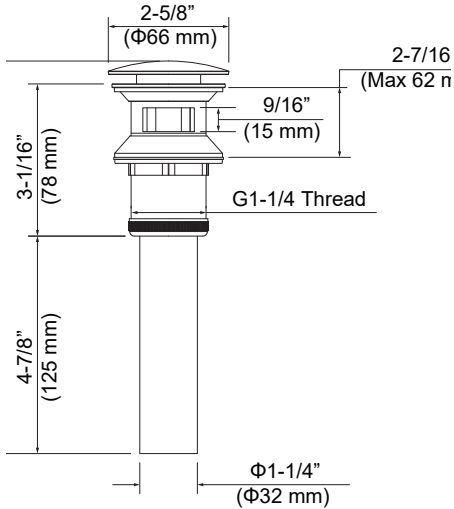


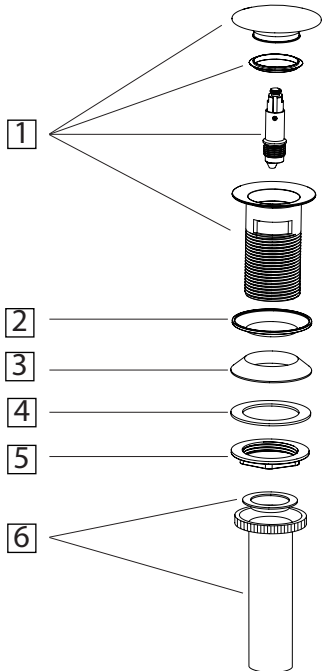
INSTALLATION INSTRUCTIONS



DIMENSIONS

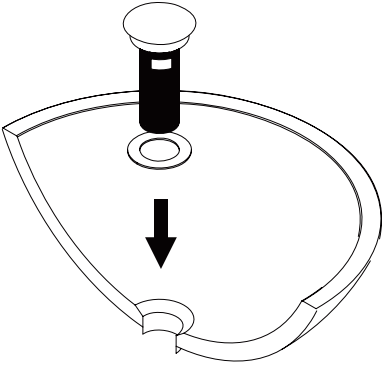


PARTS



1	Drain
2	Thin Rubber Washer
3	Thick Rubber Washer
4	Hard Washer
5	Drain Nut
6	Tail piece

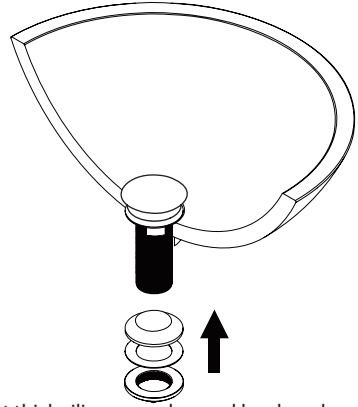
1



Remove all components from drain piece including: thin and thick silicone washer, hard washer, drain nut and tail piece.

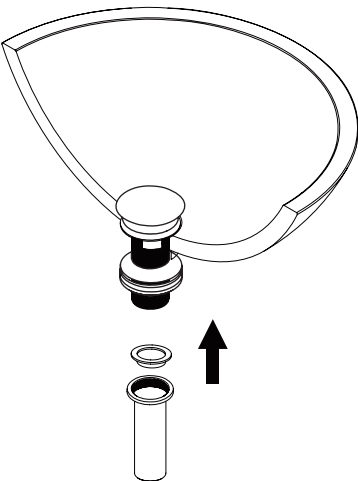
Insert drain and thin silicone washer into basin. Apply Teflon to the exposed male threading area of drain piece.

2



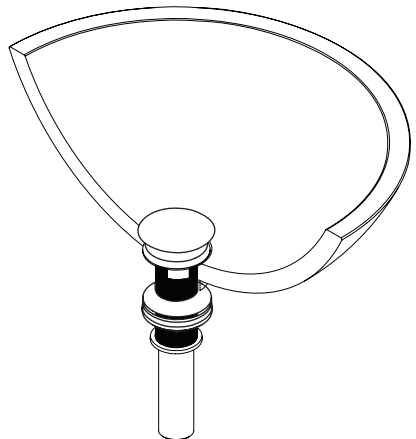
Insert thick silicone washer and hard washer over the exposed male threaded area and screw drain nut onto drain. Do not overtighten.

3



Screw tail piece onto drain using the tail washer.

4



Install waste system (not included) and check for leakage.

INSTRUCTIONS FOR CLEANING

Quality, technological processes and materials are the features that determine the high standards of our accessories.

However, to avoid surface alterations, it is necessary to follow a few guidelines. Clean all finishes exclusively with soap and water, and dry with a soft cloth.

Do not use coarse cloths, abrasive products, acids, ammonia products, caustic substances, bleach or solvents.

In case of contact with these substances, rinse surfaces immediately and wipe dry.

Remember that even fumes can damage metal.

Wash accessories next to the toilet bowl at regular intervals to avoid corrosion.