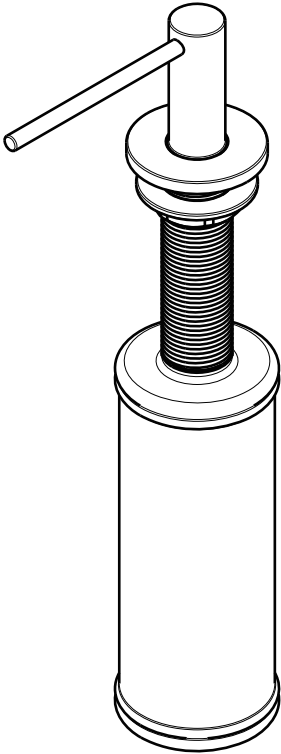


# INSTALLATION INSTRUCTIONS

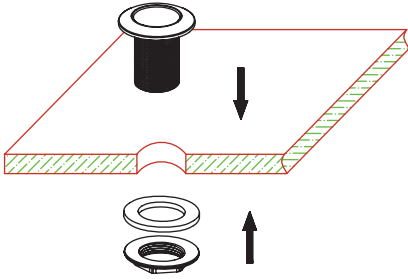


## Before Installation

---

- We recommend that this product is installed by a qualified professional plumber / contractor.
- Please check this product immediately to ensure that it has not been damaged and is complete. Before installation, please make sure this product is the correct model and you have all the parts required for installation and using.
- Please flush the water system to ensure that no metal swarf, solder, and other impurities can enter the taps.
- Turn off water supply before commencing work, this should be done at the isolating valves of inlet feeds if fitted or main stopcock.
- Please read these instructions carefully and keep it for future reference.

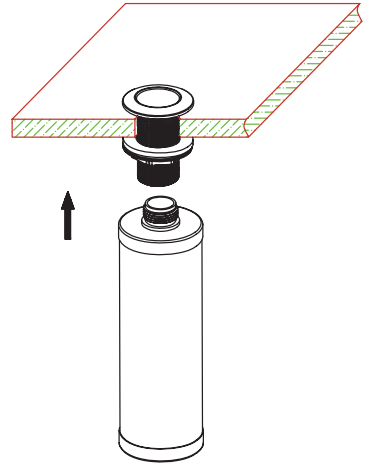
1



Put one washer into the groove in the bottom of the neck and then pass the threaded part of the neck through the countertop hole.

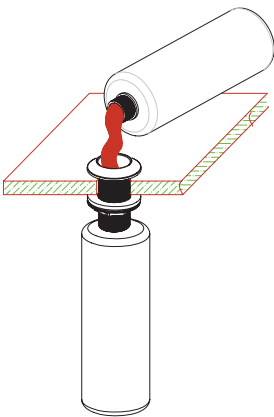
Put the second washer to the threaded part of the neck, under the sink. Then install the nut and hand tighten to keep it in place.

2



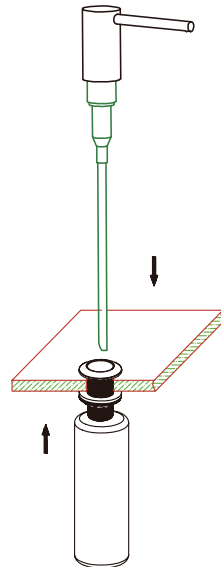
Then hand tight (gently) the soap container into the thread of the neck.

3



Now fill the container with the soap by pouring it from the top.

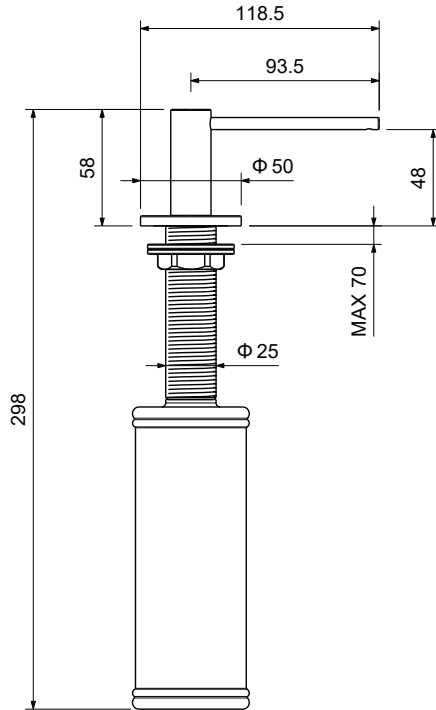
4



Insert the soap dispenser pump from the top. It may take a few pumps before the soap works its way through the nozzle.

## Dimension

---



## Cleaning and care

---

Our Kitchen and bathroom products are made of solid brass to comply with the needs of the market with regard to design and functionality. To avoid damage to the product, it is necessary to take proper care of it.

Clean the faucet often with a soft cloth to keep it looking like new. For heavy cleaning you can use mild liquid detergents or non-abrasive liquid polisher. Rinse with water and dry with a soft cloth. Avoid abrasive cleaners, steel wool and harsh chemicals as these will dull the finish and void your warranty.