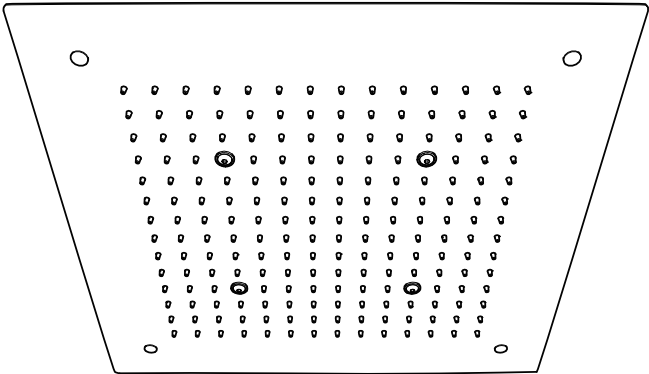


INSTALLATION INSTRUCTIONS



Before Installation

- We recommend that this product is installed by a qualified professional plumber / contractor.
- Please check this product immediately to ensure that it has not been damaged and is complete. Before installation, please make sure this product is the correct model and you have all the parts required for installation and using.
- Please flush the water system to ensure that no metal swarf, solder, and other impurities can enter the shower head.
- Turn off water supply before commencing work, this should be done at the isolating valves of inlet feeds if fitted or main stopcock.
- Please read these instructions carefully and keep it for future reference.

Before Installation

- Gloves should be worn during installation to prevent crushing and cutting injuries.
- Children as well as adults with physical, mental and/or sensory impairments must not use this shower system without proper supervision. Persons under the influence of alcohol or drugs are prohibited from using this shower system
- Do not allow the streams of the shower touch sensitive body parts (such as your eyes) An adequate distance must be kept between the shower and you.
- The hot and cold supplies must be of equal pressures.

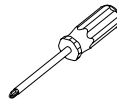
Tools you may need



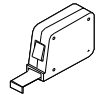
1. Drill



2. Pencil



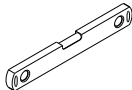
3. Phillips Screwdriver



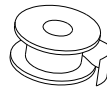
4. Tape Measure



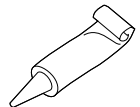
5. Wrench



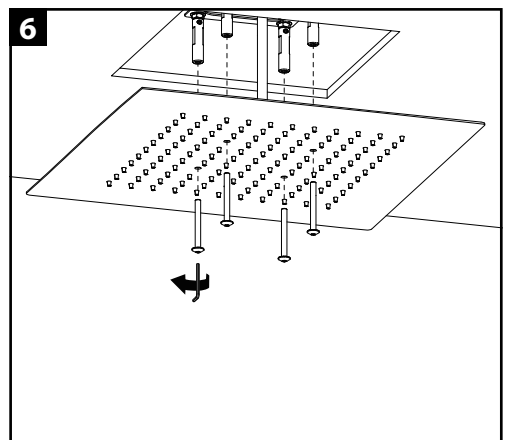
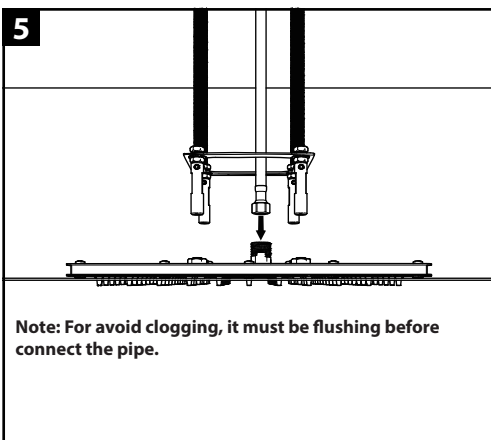
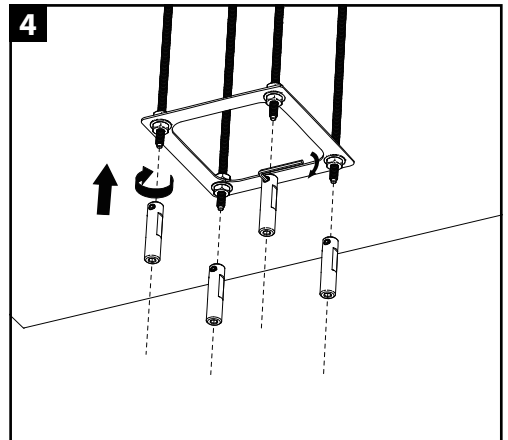
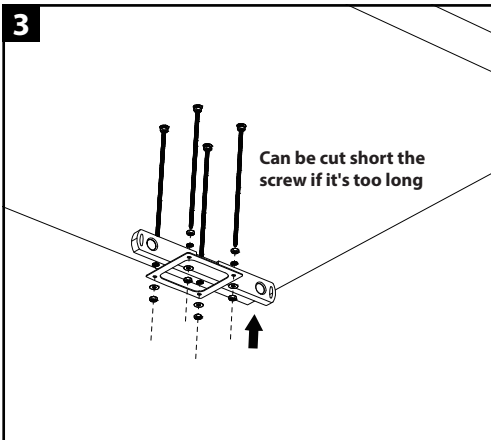
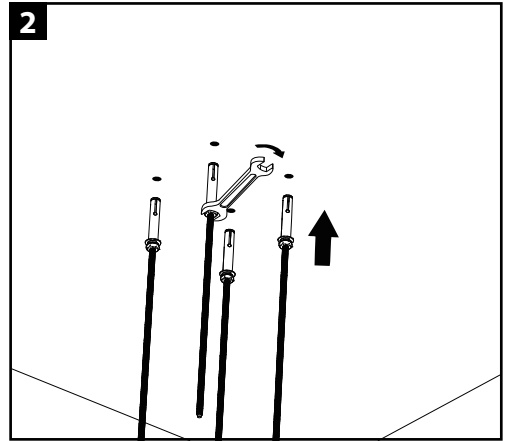
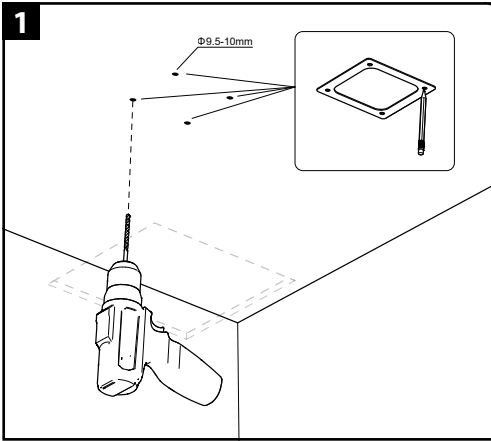
6. Level



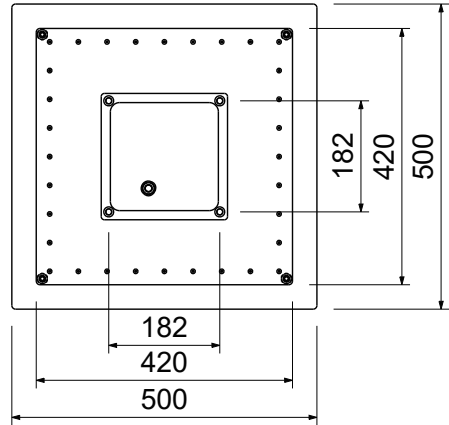
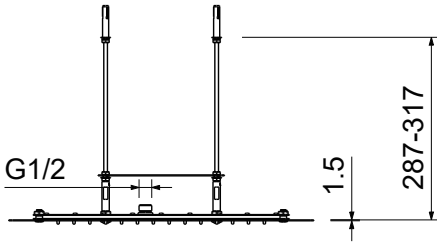
7. Plumbers Tape



8. Silicone sealant



Dimension



Cleaning and care

Our Kitchen and bathroom products are made of solid brass to comply with the needs of the market with regard to design and functionality. To avoid damage to the product, it is necessary to take proper care of it.

Clean the faucet often with a soft cloth to keep it looking like new. For heavy cleaning you can use mild liquid detergents or non-abrasive liquid polisher. Rinse with water and dry with a soft cloth. Avoid abrasive cleaners, steel wool and harsh chemicals as these will dull the finish and void your warranty.