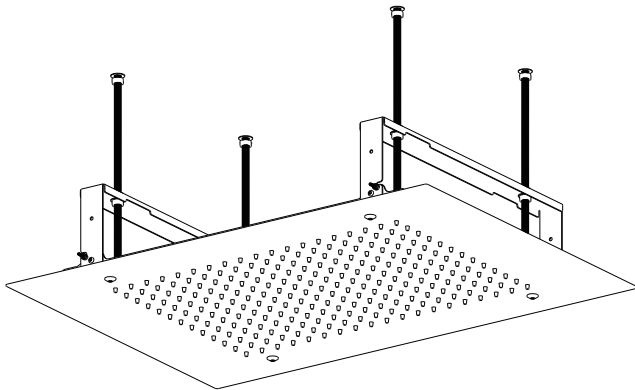


Installation Guide



Installation Instructions

 **READ ALL INSTRUCTIONS BEFORE UNPACKING THE PRODUCT** 

Important

- 1- For best results, we recommend that this unit be installed by a licensed, professional plumber.
- 2- Please read over these instructions thoroughly before beginning installation. Make sure that you have all tools and supplies needed to complete the installation.
- 3- Keep this booklet and the receipt (or other proof of date and place of purchase) for this product in a safe place. The receipt is required should it be necessary to request warranty parts.
- 4- Please keep the box and packaging materials until your product is completely installed and functional.

Caution: Always turn off the water before disassembling the valve. Open valve handle to relieve water pressure and to ensure that complete water shut-off has been accomplished.

Flushing

Important: Before closing wall openings, pressure test valve and complete system using flushing instructions.

Pipe chips, sand and other solids found in and renovated plumbing can damage the sealing surfaces of the cartridge, causing leakage or spool blockage. To avoid damage, **DO NOT TURN ON SUPPLY VALVES** until instructed.

Tools you may need



Drill



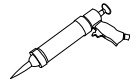
Screwdriver



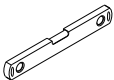
Safety Glasses



Wrench



Silicone Caulk Gun



Level



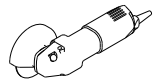
Pencil



Plumbers tape

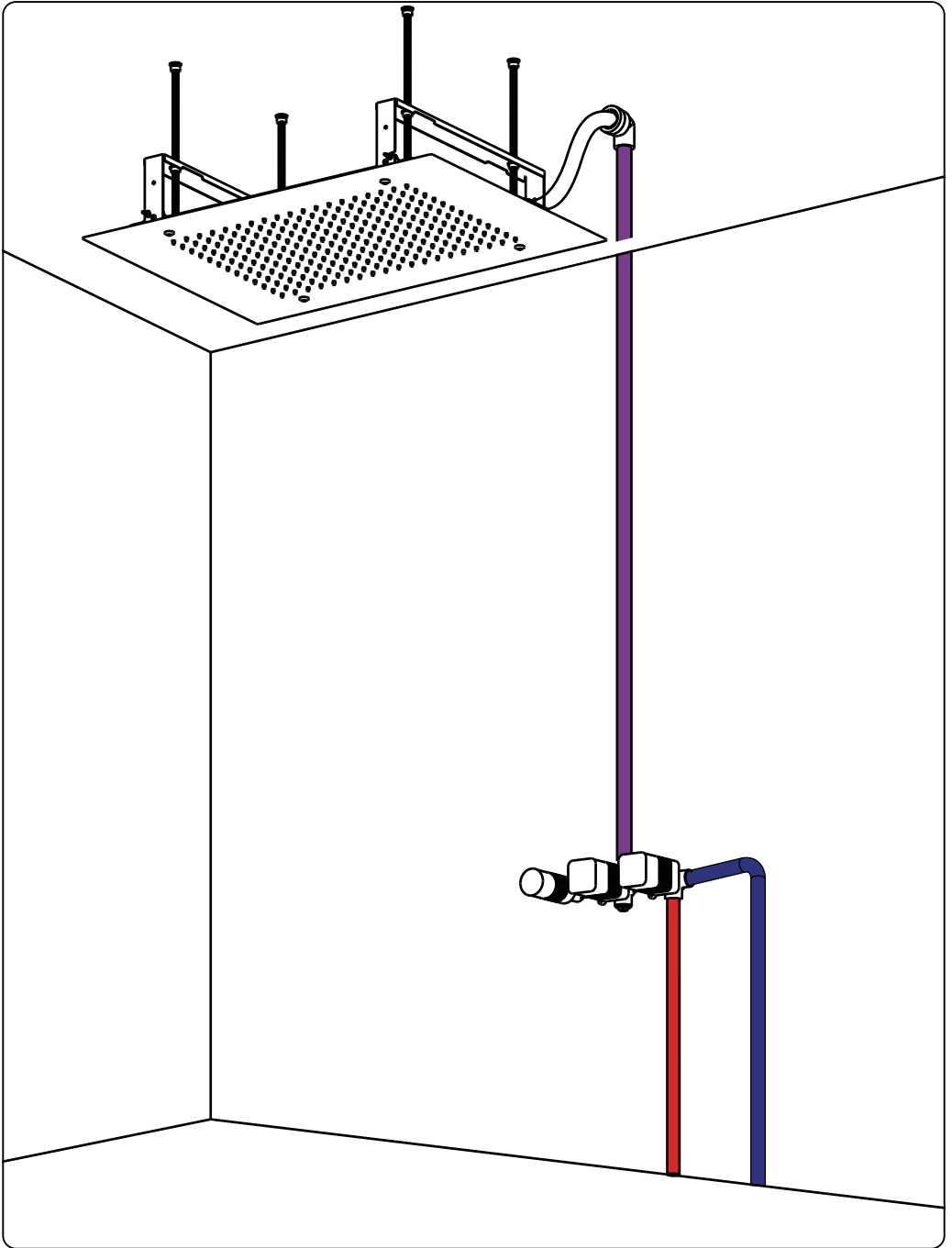


Tape Measure



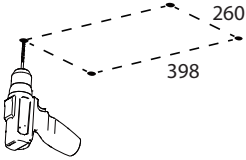
Angle Grinder

Shower Head Installation Instructions



Shower Head Installation Instructions

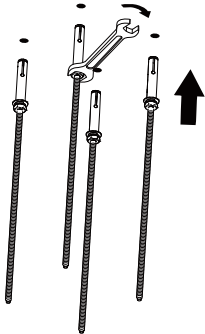
Hole depth: around 50mm
Hole diameter: $\Phi 9.5-10\text{mm}$



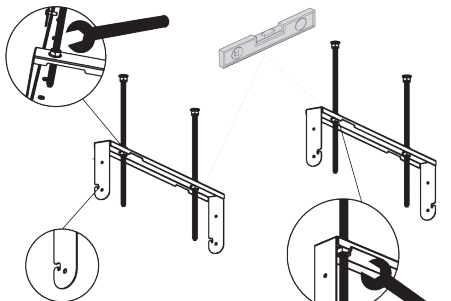
Use the bracket frame as template, marking the installation line by pencil.
Drill 9.5-10mm diameter hole, depth around 50mm, then knock in the screw plug.

Please flush the pipe first to avoid the debris go inside the head shower.

This head shower need to have 1 pre-installed G1/2 water outlet.



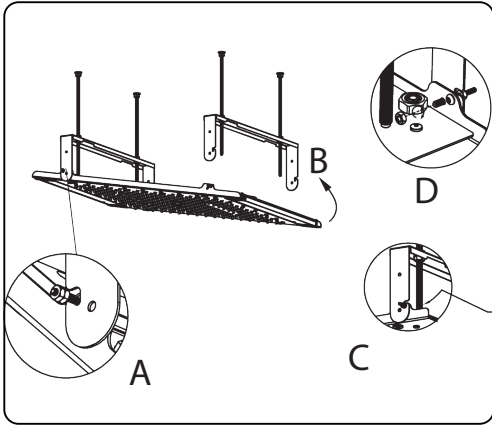
Install and tight the M6 expansion rod by using 10mm spanner



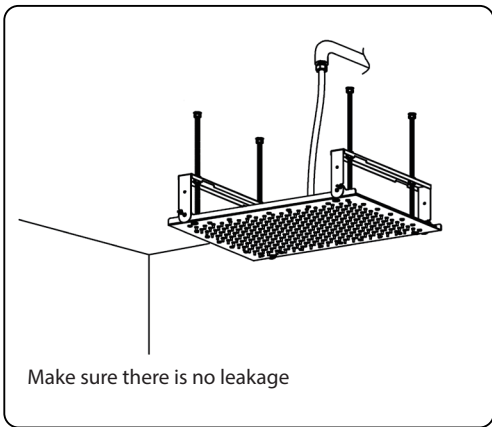
The notch of the first shower bracket should face outside.

Install the shower bracket, make sure the brackets are at the same level, then tight the screw by spanner.
Depending on different ceiling, the M6 expansion rod can be cut if necessary.

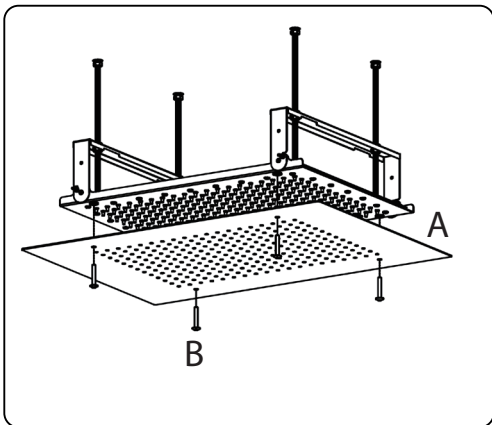
Shower Head Installation Instructions



- A:** Lift the shower body to the shower bracket hook.
- B:** Hang the other side accordingly, make sure the shower head hung stable.
- C:** Adjust the shower bracket position, and put the male screw into the hole.
- D:** Tight the M4 female screw.



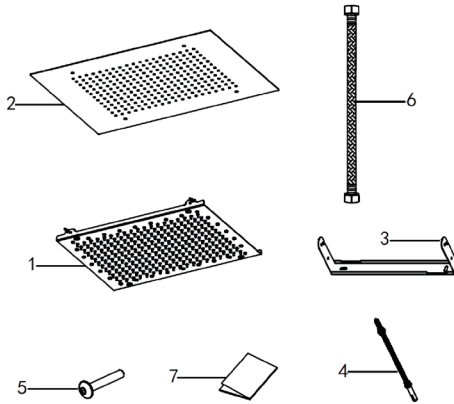
- Connect the hose to pre-installed G1/2 water outlet, Open water and flush the pipe. Then connect the hose to shower body, check if there is any leakage. If leakage then fix it, If not then move the next step.



- For safety, use two man for this step. With gloves, lift the shower panel:

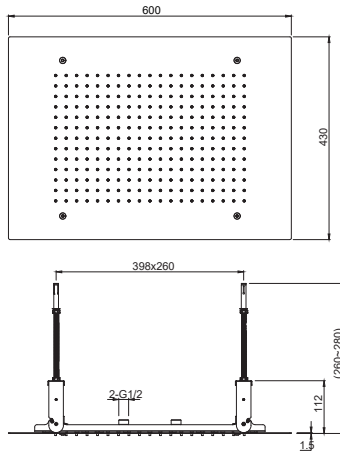
- A:** Align the shower nozzles with shower panel holes,
- B:** Then tight the screw by using SW4mm spanner, please don't over tighten.

Part



NO.	Part Name	Quantity
1	Shower Body	1
2	Shower Panel	1
3	Bracket	2
4	M6 Expansion rod	4
5	M6 Screw	4
6	Hose	1
7	Installation Manuals	1

Dimension



Cleaning and care

Our Kitchen and bathroom products are made of the best materials to comply with the needs of the market with regard to design and functionality. To avoid damage to the product, it is necessary to take proper care of it.

Clean the products often with a soft cloth to keep it looking like new. For heavy cleaning you can use mild liquid detergents or non-abrasive liquid polisher. Rinse with water and dry with a soft cloth. Avoid abrasive cleaners, steel wool and harsh chemicals as these will dull the finish and void your warranty.