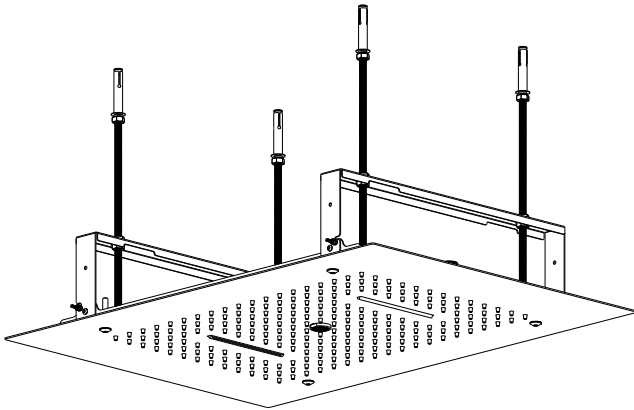
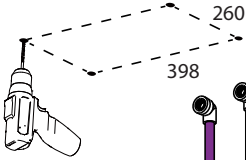


Installation Guide



Shower Head Installation Instructions

Hole depth: around 50mm
Hole diameter: $\Phi 9.5-10\text{mm}$

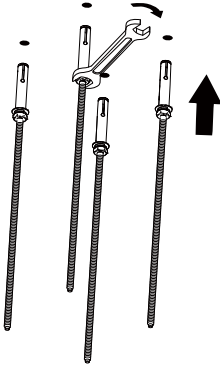


Use the bracket frame as template, marking the installation line by pencil.
Drill 9.5-10mm diameter hole, depth around 50mm, then knock in the screw plug.

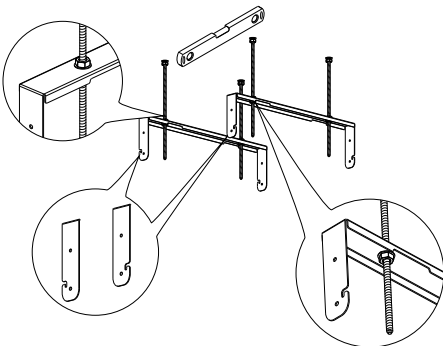
Please flush the pipe first to avoid the debris go inside the head shower.

This head shower need to have 3 pre-installed G1/2 water outlet.

Install and tight the M6 expansion rod by using 10mm spanner

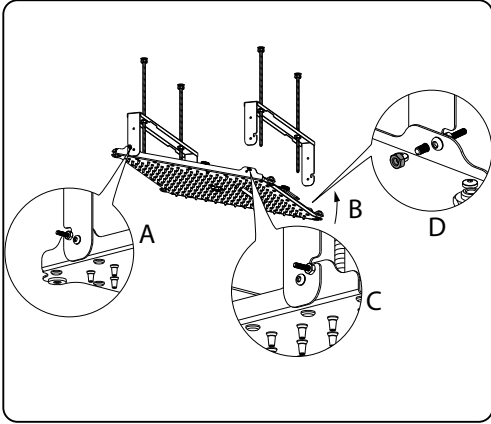


Install the shower bracket, make sure the brackets are at the same level, then tight the screw by spanner.
Depending on different ceiling, the M6 expansion rod can be cut if necessary.

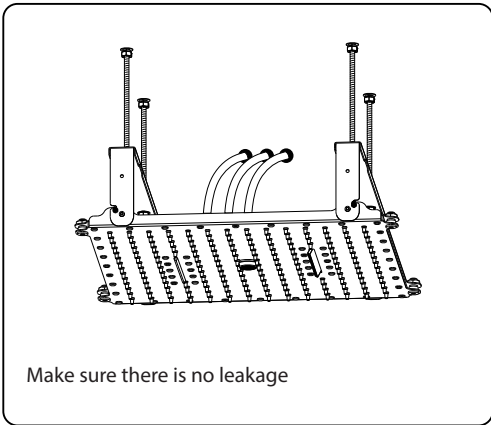


The notch of the first shower bracket should face outside.

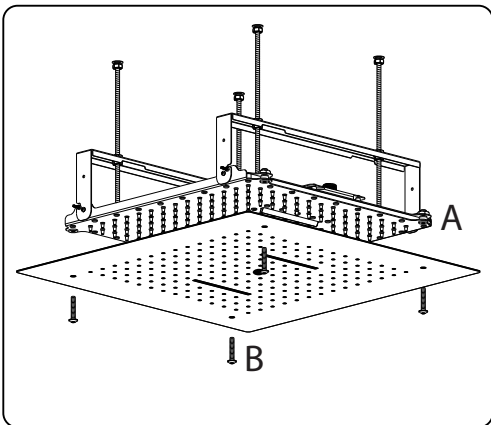
Shower Head Installation Instructions



- A:** Lift the shower body to the shower bracket hook.
- B:** Hang the other side accordingly, make sure the shower head hung stable.
- C:** Adjust the shower bracket position, and put the male screw into the hole.
- D:** Tight the M4 female screw.



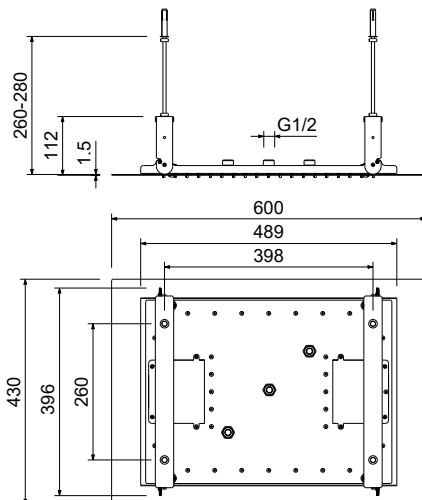
- Connect the hose to pre-installed G1/2 water outlet, Open water and flush the pipe. Then connect the hose to shower body, check if there is any leakage. If leakage then fix it, If not then move the next step.



- For safety, use two man for this step. With gloves, lift the shower panel:

- A:** Align the shower nozzles with shower panel holes,
- B:** Then tight the screw by using SW4mm spanner, please don't over tighten.

Dimension



Cleaning and care

Our Kitchen and bathroom products are made of the best materials to comply with the needs of the market with regard to design and functionality. To avoid damage to the product, it is necessary to take proper care of it.

Clean the products often with a soft cloth to keep it looking like new. For heavy cleaning you can use mild liquid detergents or non-abrasive liquid polisher. Rinse with water and dry with a soft cloth. Avoid abrasive cleaners, steel wool and harsh chemicals as these will dull the finish and void your warranty.