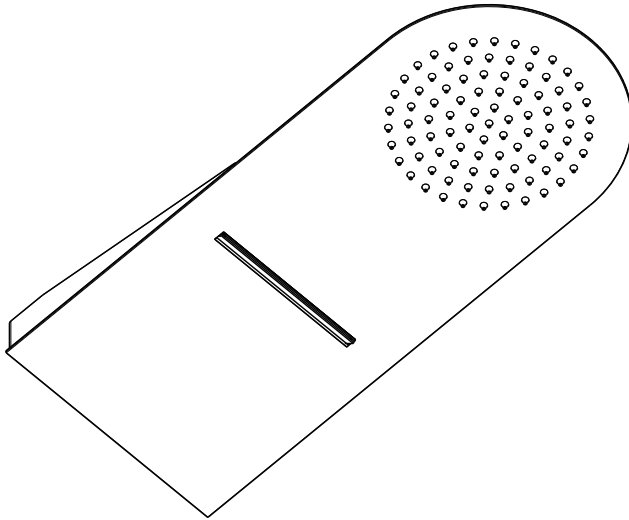
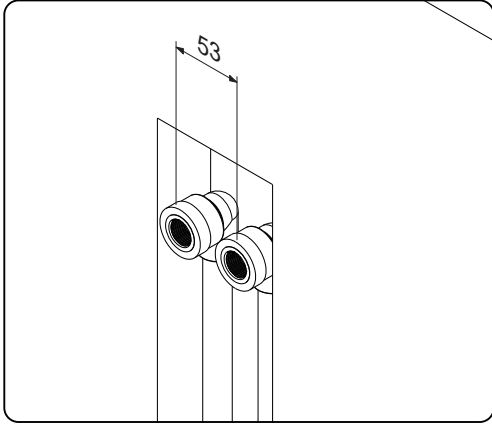


# Installation Guide



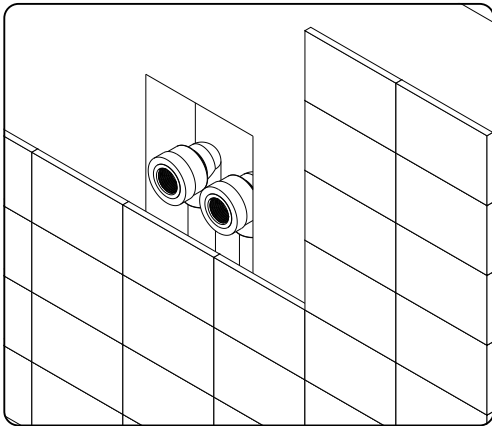
# Shower Head Installation Instructions

---



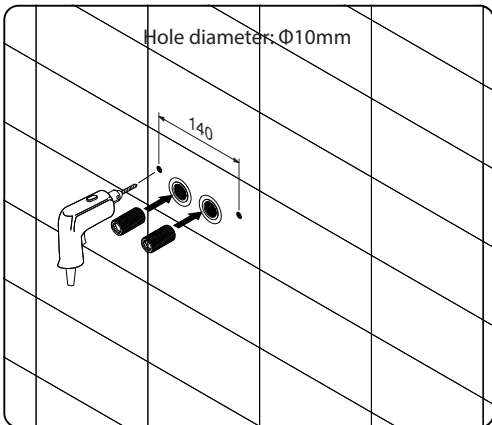
## Pipe Connections

The center distance between them should be set to 53 mm.



## Complete the Finished Wall

Complete the finished wall surface.

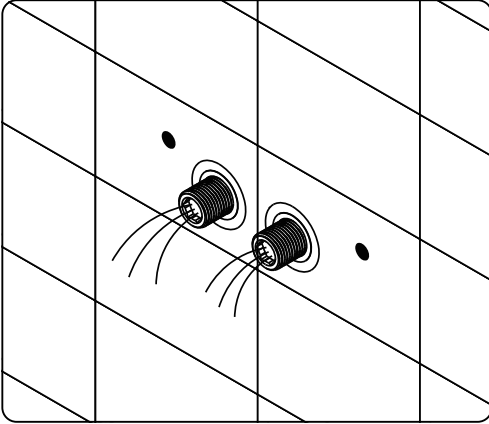


## Install the Threaded Connectors

Remove the two G1/2 threaded connectors from the Showerhead. Wrap them with PTFE tape and install them onto the pipes.

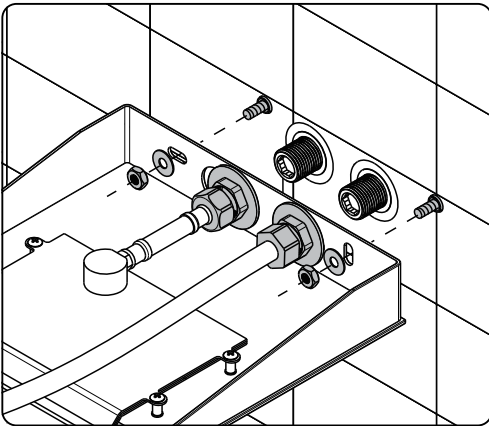
Use the overhead shower as a template to mark the positions of the installation holes. Then, drill two installation holes with a 10 mm drill bit. The center distance between the holes should be approximately 140 mm.

# Shower Head Installation Instructions



## Flush the Pipes

Turn on the main water valve and flush the pipes to prevent debris from entering and clogging the overhead shower nozzles.

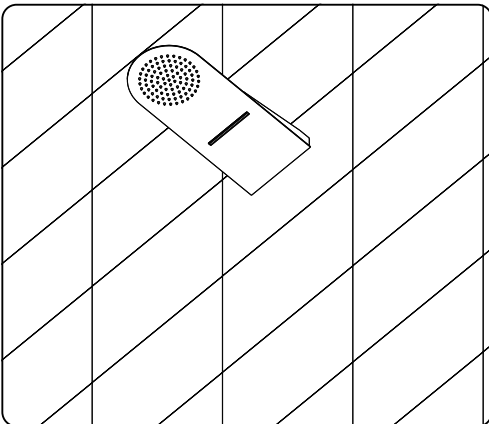


## Secure the Overhead Shower

Insert the metal anchors into the installation holes, then remove the nuts and washers from the anchors and set them aside.

Pass the overhead shower through the threaded connectors and anchors, then secure it with the nuts and washers that were set aside.

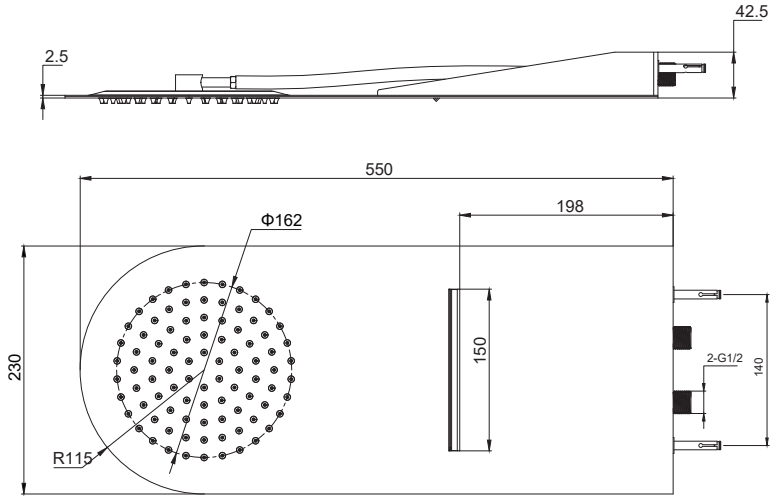
Use the large nuts to tighten the overhead shower to the threaded connectors, and then connect the hose to the threaded connectors.



## Finished

## Dimension

---



## Cleaning and care

---

Our Kitchen and bathroom products are made of the best materials to comply with the needs of the market with regard to design and functionality. To avoid damage to the product, it is necessary to take proper care of it.

Clean the products often with a soft cloth to keep it looking like new. For heavy cleaning you can use mild liquid detergents or non-abrasive liquid polisher. Rinse with water and dry with a soft cloth. Avoid abrasive cleaners, steel wool and harsh chemicals as these will dull the finish and void your warranty.