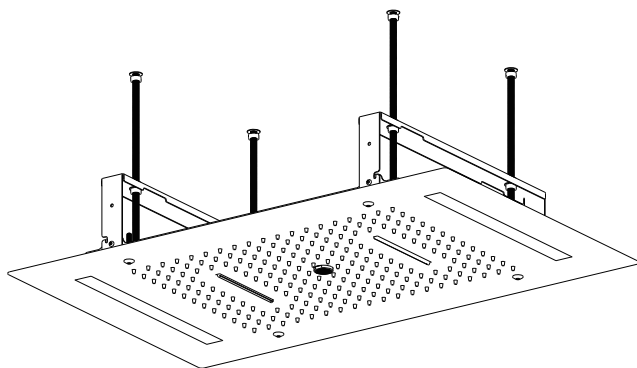


# Installation Guide



# Installation Instructions

 **READ ALL INSTRUCTIONS BEFORE UNPACKING THE PRODUCT** 

## Important

---

- 1- For best results, we recommend that this unit be installed by a licensed, professional plumber.
- 2- Please read over these instructions thoroughly before beginning installation. Make sure that you have all tools and supplies needed to complete the installation.
- 3- Keep this booklet and the receipt (or other proof of date and place of purchase) for this product in a safe place. The receipt is required should it be necessary to request warranty parts.
- 4- Please keep the box and packaging materials until your product is completely installed and functional.

**Caution: Always turn off the water before disassembling the valve. Open valve handle to relieve water pressure and to ensure that complete water shut-off has been accomplished.**

### Flushing

**Important: Before closing wall openings, pressure test valve and complete system using flushing instructions.**

Pipe chips, sand and other solids found in and renovated plumbing can damage the sealing surfaces of the cartridge, causing leakage or spool blockage. To avoid damage, **DO NOT TURN ON SUPPLY VALVES** until instructed.

## Tools you may need

---



Drill



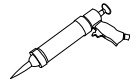
Screwdriver



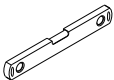
Safety Glasses



Wrench



Silicone Caulk Gun



Level



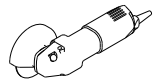
Pencil



Plumbers tape

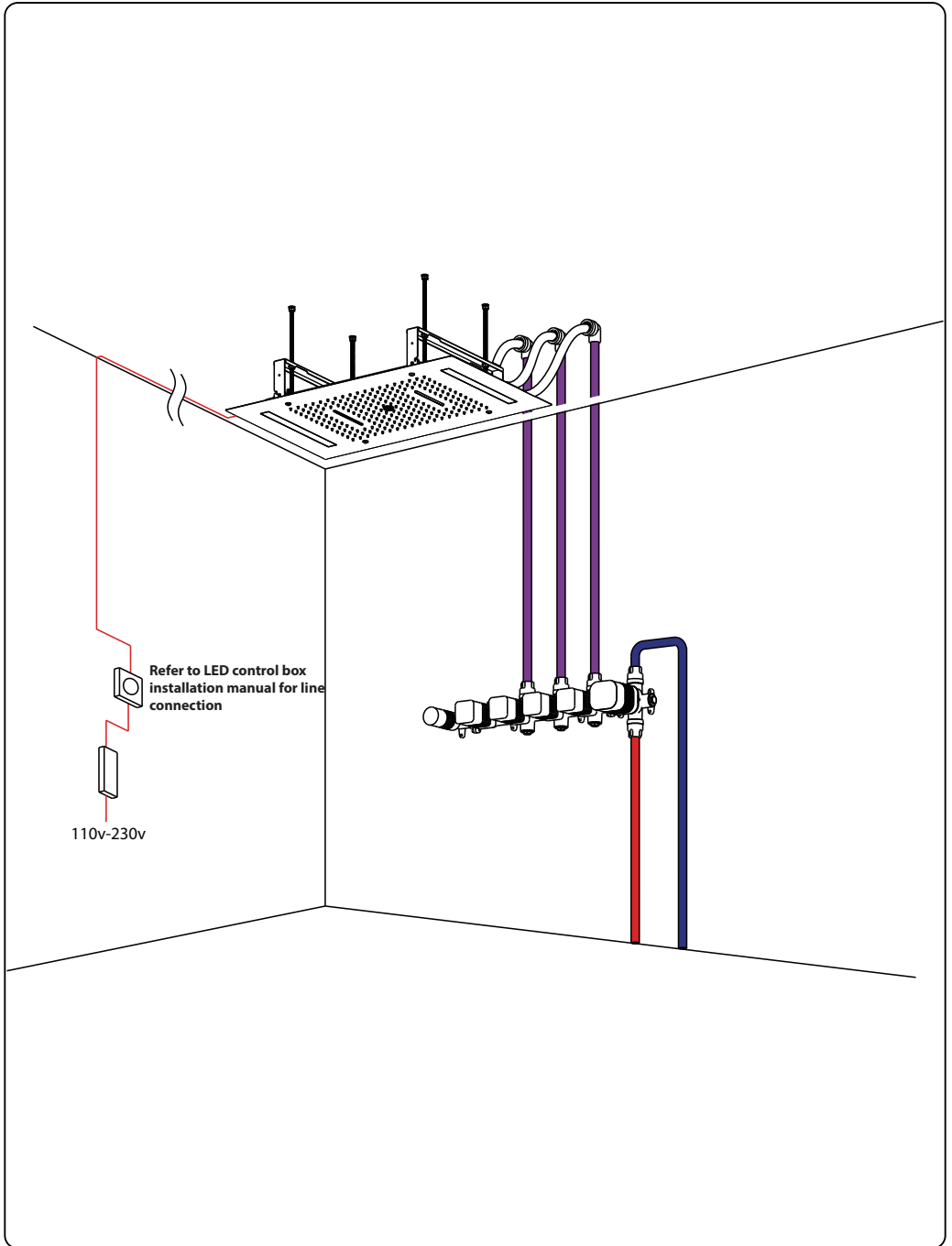


Tape Measure



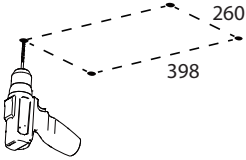
Angle Grinder

# Shower Head Installation Instructions



# Shower Head Installation Instructions

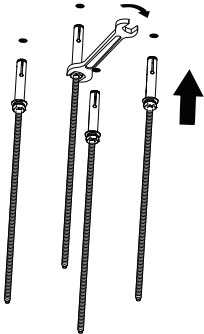
Hole depth: around 50mm  
Hole diameter:  $\Phi 9.5-10\text{mm}$



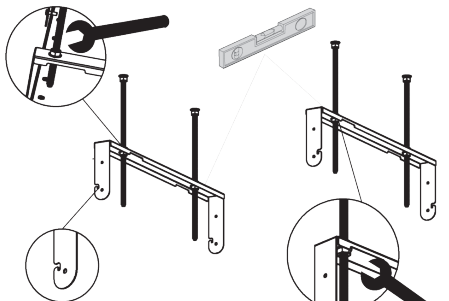
Use the bracket frame as template, marking the installation line by pencil.  
Drill 9.5-10mm diameter hole, depth around 50mm, then knock in the screw plug.

**Please flush the pipe first to avoid the debris go inside the head shower.**

**This head shower need to have 3 pre-installed G1/2 water outlet.**



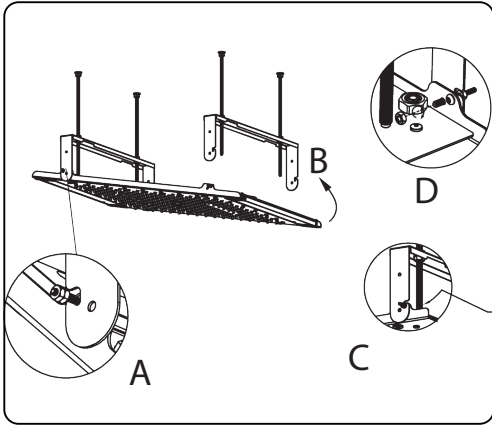
Install and tight the M6 expansion rod by using 10mm spanner



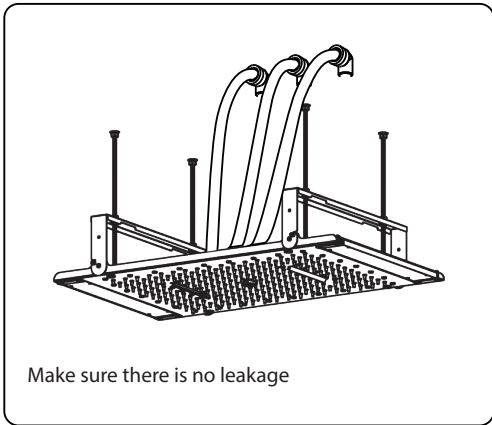
The notch of the first shower bracket should face outside.

Install the shower bracket, make sure the brackets are at the same level, then tight the screw by spanner.  
Depending on different ceiling, the M6 expansion rod can be cut if necessary.

# Shower Head Installation Instructions

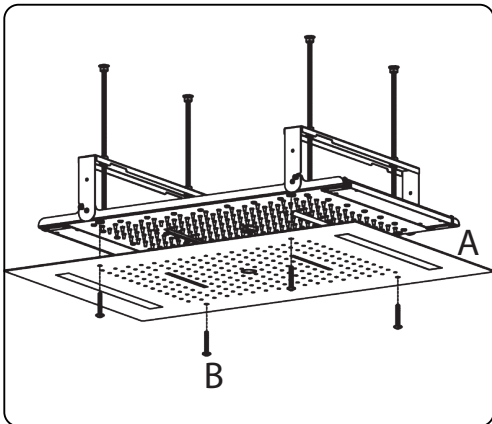


- A:** Lift the shower body to the shower bracket hook.
- B:** Hang the other side accordingly, make sure the shower head hung stable.
- C:** Adjust the shower bracket position, and put the male screw into the hole.
- D:** Tight the M4 female screw.



Connect the hose to pre-installed G1/2 water outlet, Open water and flush the pipe. Then connect the hose to shower body, check if there is any leakage. If leakage then fix it, If not then move the next step.

Make sure there is no leakage

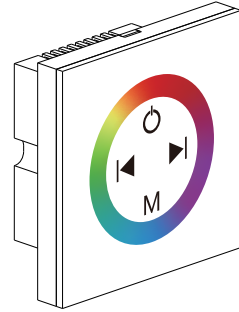


For safety, use two man for this step. With gloves, lift the shower panel:  
**A:** Align the shower nozzles with shower panel holes,  
**B:** Then tight the screw by using SW4mm spanner, please don't over tighten.

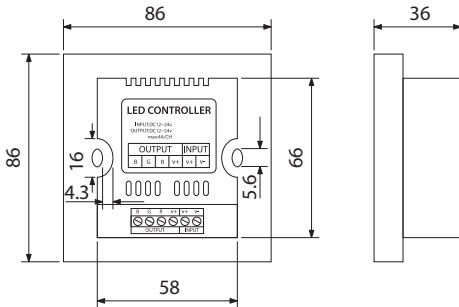
# LED Control Box Installation Instruction

## Technical Data:

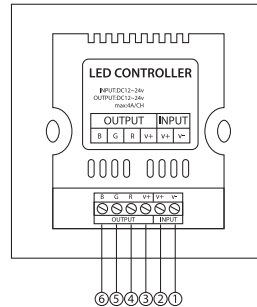
**Working temperature:** -20-60 °C  
**Supply Voltage:** DC12-24V  
**Output:** 3 Channels  
**Connection Mode:** Common anode  
**Static power consumption:** <1W  
**Output current:** <4A (each channel)  
**Output power:** Less than 144W (12V), Less than 288W (24V)  
**Net Weight:** 128g  
**Gross Weight:** 187g  
**External dimension:** 86(W) x 36(D) x 86(H) mm  
**Packing Size:** 115(W) x 56(D) x 110(H) mm



## Dimension



## Interface Specifications



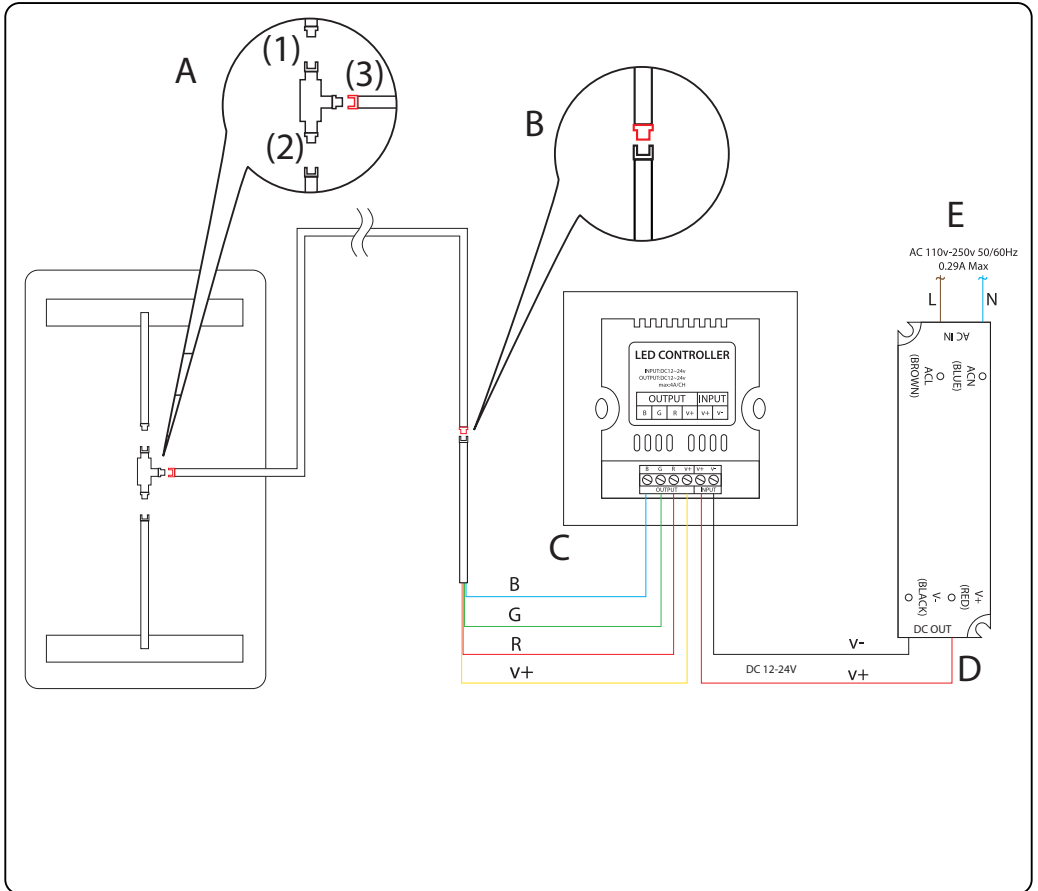
- ① INPUT: V-
- ② INPUT: V+
- ③ OUTPUT: V+
- ④ OUTPUT: R
- ⑤ OUTPUT: G
- ⑥ OUTPUT: B

## Controller Operation Instruction

There are 4 function buttons and 1 pulley key at the touch panel, function as below:

	Turn on/Turn off the controller at any condition.																											
	Output brightness or speed control: Press to increase the brightness or speed, 1 press add 1 level and totally 100 levels.																											
	Output brightness or speed control: Press to reduce the brightness or speed, 1 press reduce 1 level.																											
	Color selection key: up to 64 color. When M Key at Model No.1 to No.7, the pulley key can be used for choose or change colors.																											
<b>M</b>	Mode Select: Press and select 11 auto mode, Press and hold can turn on/turn off the prompt tone.																											
	<table border="1"> <thead> <tr> <th>Mode No.</th> <th>Color</th> <th>Remarks</th> </tr> </thead> <tbody> <tr> <td>1</td> <td>Red</td> <td rowspan="7">Brightness adjustable Speed not adjustable</td> </tr> <tr> <td>2</td> <td>Green</td> </tr> <tr> <td>3</td> <td>Blue</td> </tr> <tr> <td>4</td> <td>Yellow</td> </tr> <tr> <td>5</td> <td>Purple</td> </tr> <tr> <td>6</td> <td>Cyan</td> </tr> <tr> <td>7</td> <td>White</td> </tr> <tr> <td>8</td> <td>Three color jump change</td> <td rowspan="4">Speed adjustable brightness not adjustable</td> </tr> <tr> <td>9</td> <td>Three color gradual change</td> </tr> <tr> <td>10</td> <td>Seven color jump change</td> </tr> <tr> <td>11</td> <td>Seven color gradual change</td> </tr> </tbody> </table>	Mode No.	Color	Remarks	1	Red	Brightness adjustable Speed not adjustable	2	Green	3	Blue	4	Yellow	5	Purple	6	Cyan	7	White	8	Three color jump change	Speed adjustable brightness not adjustable	9	Three color gradual change	10	Seven color jump change	11	Seven color gradual change
Mode No.	Color	Remarks																										
1	Red	Brightness adjustable Speed not adjustable																										
2	Green																											
3	Blue																											
4	Yellow																											
5	Purple																											
6	Cyan																											
7	White																											
8	Three color jump change	Speed adjustable brightness not adjustable																										
9	Three color gradual change																											
10	Seven color jump change																											
11	Seven color gradual change																											

# Electric connection



**A:** There are three connectors at the T-shape wire connector. Top female connector (1) and bottom male connector(2) should connect to LED shower line, and the right male connector(3) should connect to the hidden wire.

**B:** Hidden line male connector connect to control box female connector, If hidden line is not long enough, using the provided extra lines to extend accordingly.

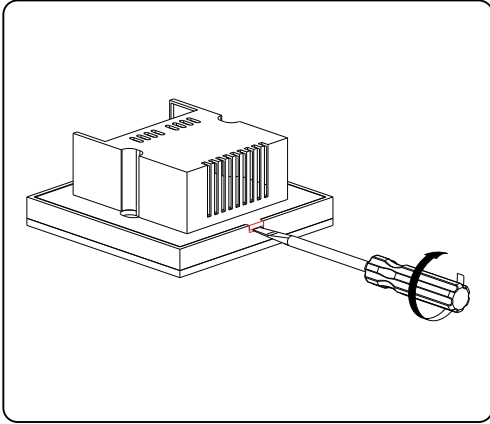
## Notice:

**C:** Please don't install the control box at shower area, suggested to install it near the bathroom light switch area.

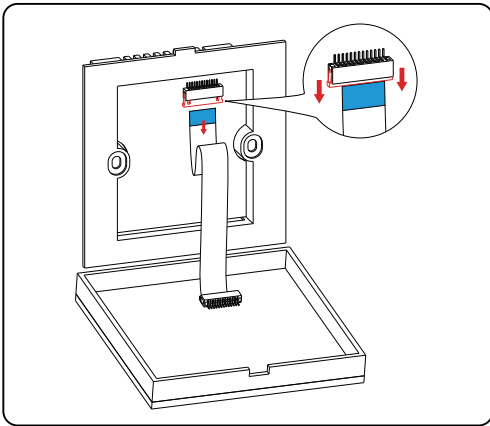
**D:** Connect the head shower and control box first, make sure there is not short circuit, then connect the electric line.

**E:** The Electric line should be installed by professional and licensed electrician, AC110V-250V 50/60HZ. Wall installation box 86X86mm is not supplied and need to prepared accordingly.

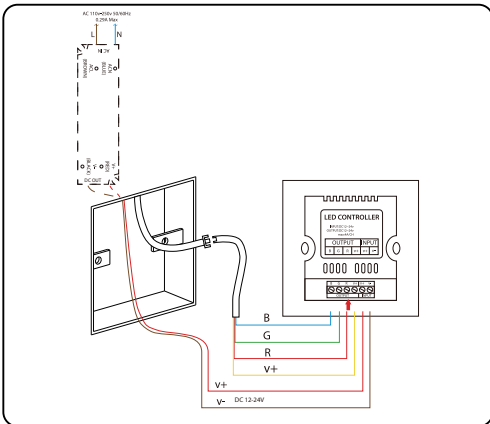
# Installation Instructions



Open the box by straight screwdriver slightly, and slowly remove the panel.



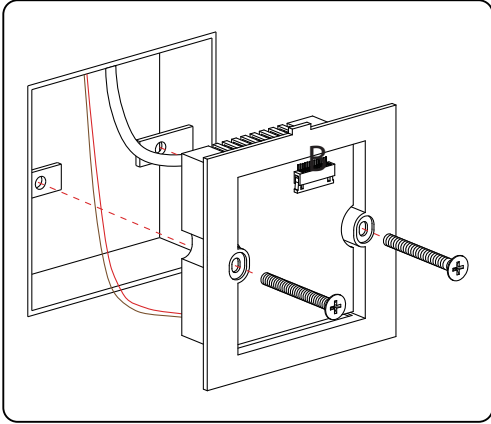
Gently pull down the both sides of the interface, open the clip, Remove the flat cable as photo shows.



Follow the drawings, connect the line accordingly.

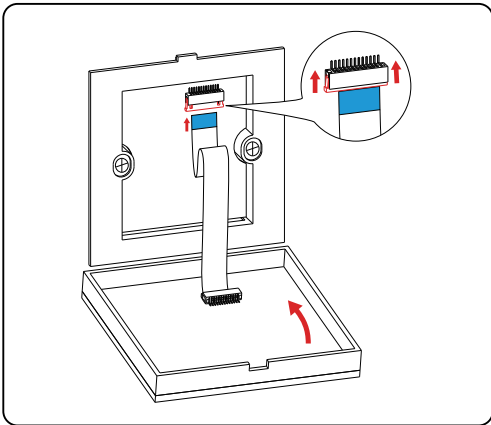


# Installation Instructions

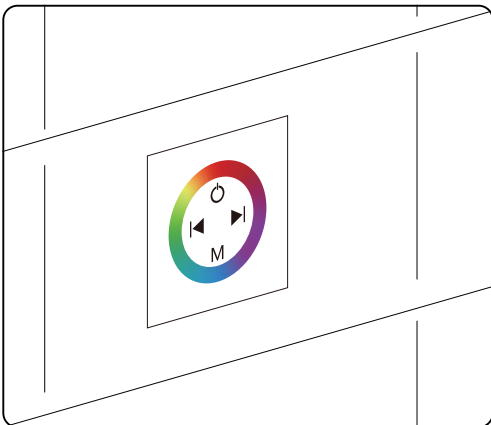


Fix the bottom part of the controller box to the pre-assembled 86X86 box by screw.

**Notice the wall box is not supplied.**

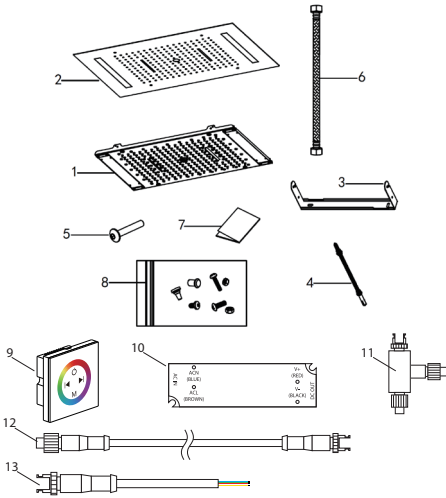


Connect the flat cable line accordingly, close the clip. Notice the blue side of line should face outside. Put on the front control panel, installation completed.



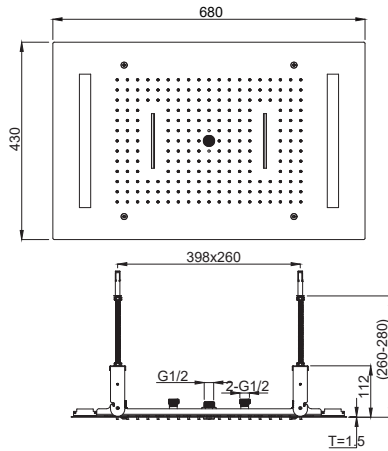
Test the LED shower light to make sure all function goes well, then installation completed.

## Part



NO.	Part Name	Quantity
1	Shower Body	1
2	Shower Panel	1
3	Bracket	2
4	M6 Expansion rod	4
5	M6 Screw	4
6	Hose	3
7	Installation Manuals	1
8	Spare Parts	1
9	LED Control Box	1
10	Inverter	1
11	T-shape Wire Connector	1
12	Hidden Line	2
13	LED Control Box wire	1

## Dimension



## Cleaning and care

Our Kitchen and bathroom products are made of the best materials to comply with the needs of the market with regard to design and functionality. To avoid damage to the product, it is necessary to take proper care of it.

Clean the products often with a soft cloth to keep it looking like new. For heavy cleaning you can use mild liquid detergents or non-abrasive liquid polisher. Rinse with water and dry with a soft cloth. Avoid abrasive cleaners, steel wool and harsh chemicals as these will dull the finish and void your warranty.