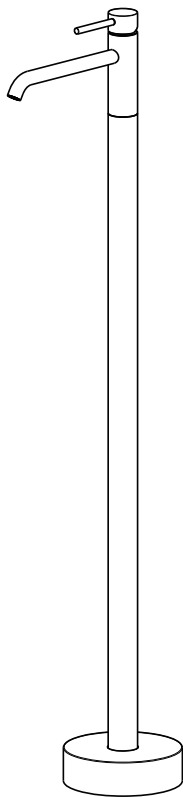
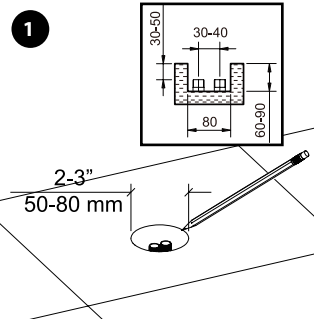


INSTALLATION INSTRUCTIONS



Installation

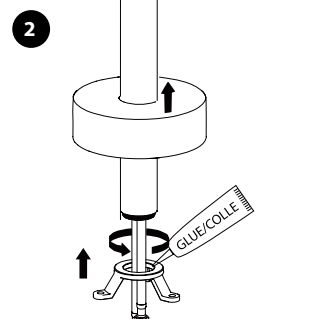
1



Trace a 2-3" (50-80 mm) diameter circle on the floor above the already installed water supplies and cut on the dieline to make a hole.

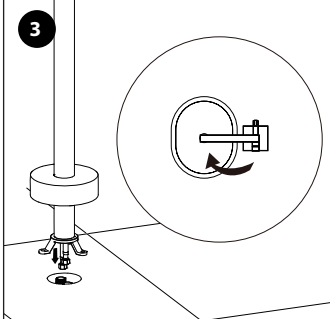
Note: Shut off water suppliers.

2



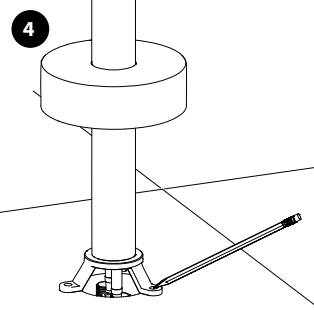
Insert the faucet tube into the base cover. Thread the tube onto the mounting tripod.

3



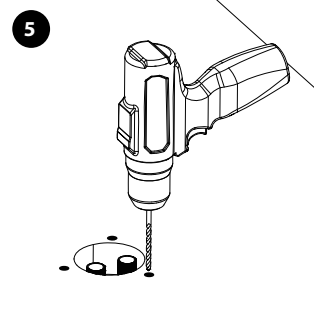
Align the faucet toward the bath tub.

4



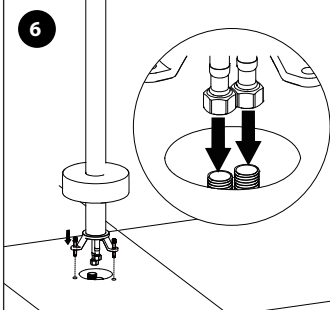
Using the mounting piece as a template, mark the positions of the screw holes.

5



Drill three 5/16" (8 mm) holes at the mark positions.

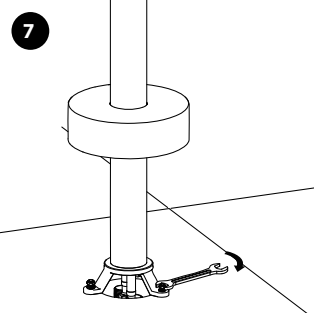
6



Locate the faucet assembly onto the rough valves from floor, and secure the connection of inlet supply lines to the valves.

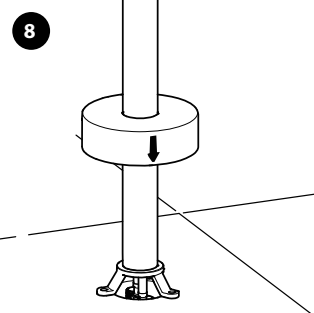
Note: DO NOT reverse the Hot and Cold supply.

7



Tightening the mounting nut with WRENCH.

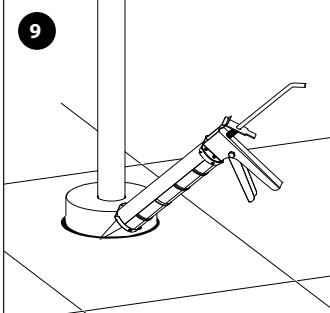
8



Install hand shower and hose. Turn on the main water valve.

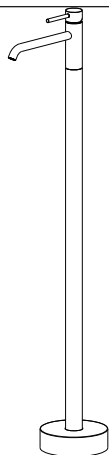
Note: Check for any leak between hose connection and hand shower.

9

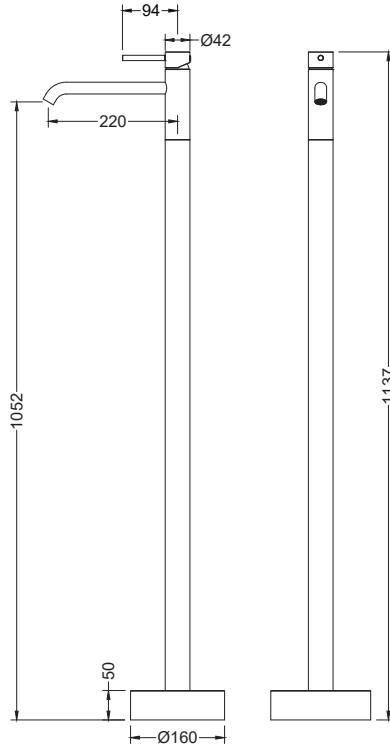


Apply Silicone to the edge of the cover.

10



Dimensions



Cleaning and care

Our Kitchen and bathroom products are made of solid brass to comply with the needs of the market with regard to design and functionality. To avoid damage to the product, it is necessary to take proper care of it.

Clean the faucet often with a soft cloth to keep it looking like new. For heavy cleaning you can use mild liquid detergents or non-abrasive liquid polisher. Rinse with water and dry with a soft cloth. Avoid abrasive cleaners, steel wool and harsh chemicals as these will dull the finish and void your warranty.