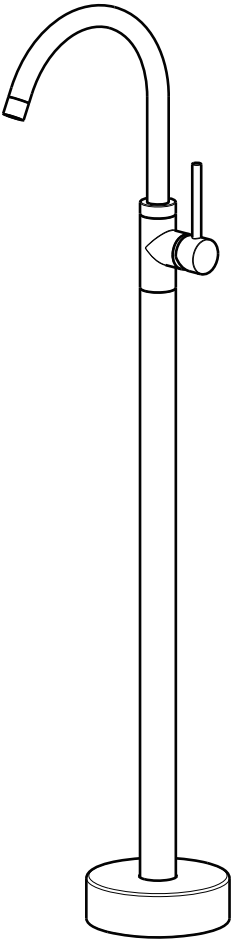
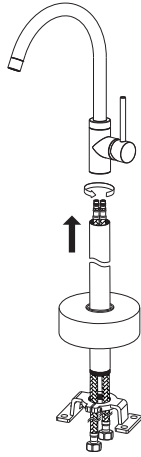


INSTALLATION INSTRUCTIONS



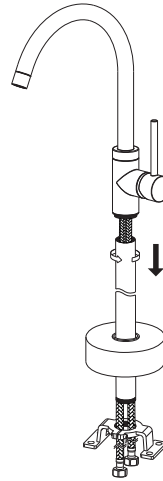
Installation

1



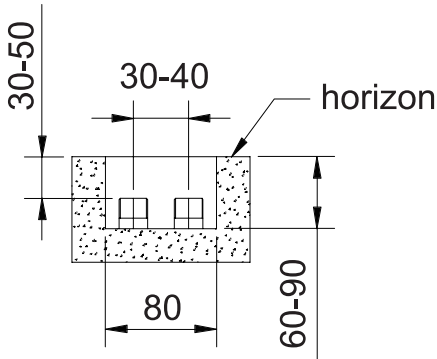
Bunch the straight tube, escutcheon and triangle fixing part into the flexible hose. Then, connect the flexible hose to the body.

2



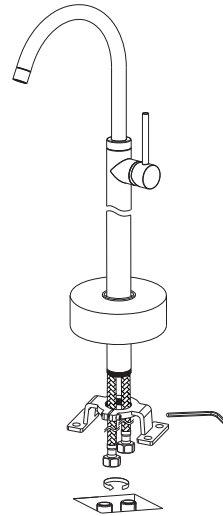
Connect the straight tube to the body by hexagon screw.

3



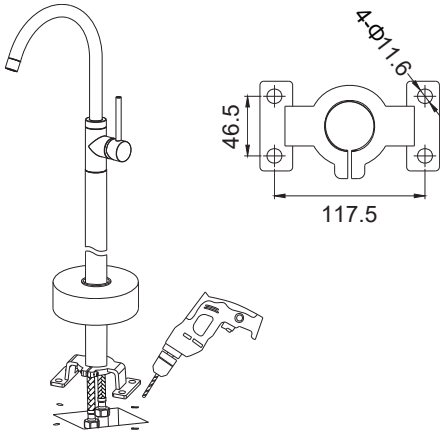
Install the inlet pipe per the following drawings.

4



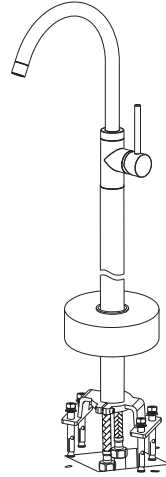
Connect the triangle fixing part to the body. Connect the flexible hose to the inlet pipe.

5



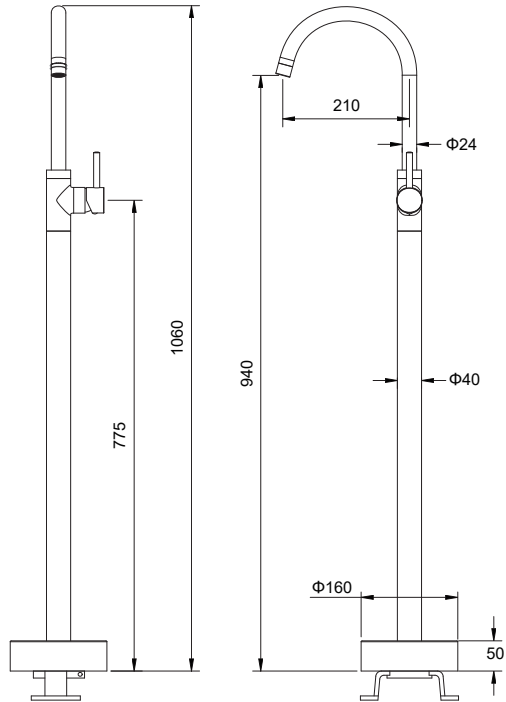
Drilling the hole per the drawing dimension.

6



Install the faucet body by expansion screw.

Dimension



Cleaning and care

Our Kitchen and bathroom products are made of solid brass to comply with the needs of the market with regard to design and functionality. To avoid damage to the product, it is necessary to take proper care of it.

Clean the faucet often with a soft cloth to keep it looking like new. For heavy cleaning you can use mild liquid detergents or non-abrasive liquid polisher. Rinse with water and dry with a soft cloth. Avoid abrasive cleaners, steel wool and harsh chemicals as these will dull the finish and void your warranty.