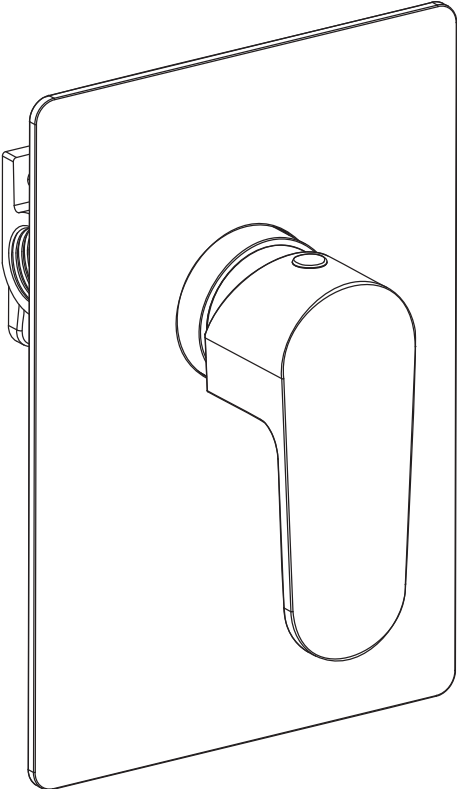


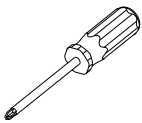
INSTALLATION INSTRUCTIONS



Before Installation

- We recommend that this product is installed by a qualified professional plumber / contractor.
- Please check this product immediately to ensure that it has not been damaged and is complete. Before installation, please make sure this product is the correct model and you have all the parts required for installation and using.
- Please flush the water system to ensure that no metal swarf, solder, and other impurities can enter the taps.
- Turn off water supply before commencing work, this should be done at the isolating valves of inlet feeds if fitted or main stopcock.
- Please read these instructions carefully and keep it for future reference.

Tools you may need



Phillips screwdriver

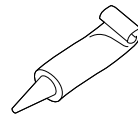


Adjustable wrench

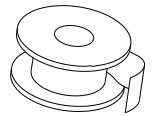
x2



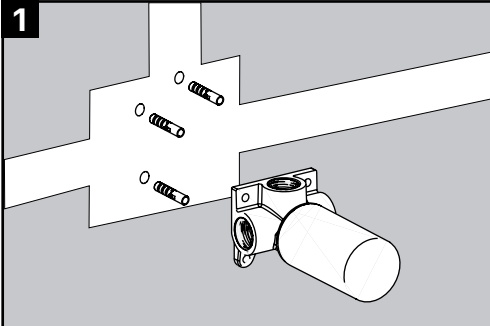
Bucket



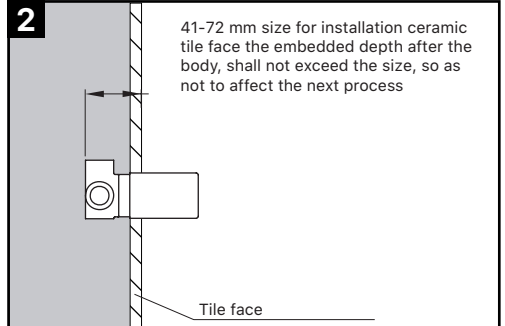
Silicone sealant



Pipe tape

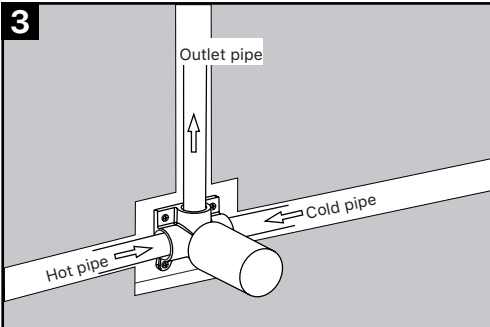


1 Drill two $\phi 6$ holes at the wall, then put the plastic anchor into the hole.

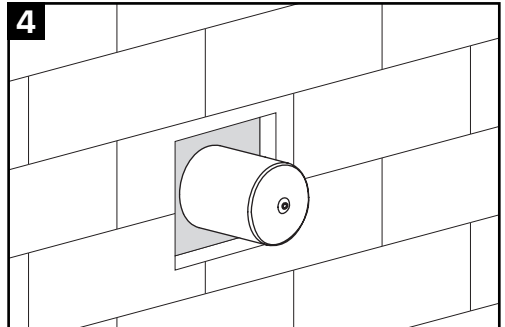


41-72 mm size for installation ceramic tile face the embedded depth after the body, shall not exceed the size, so as not to affect the next process

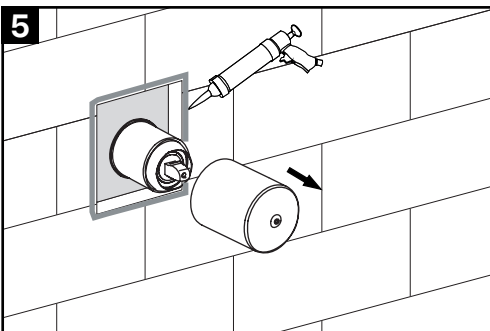
2 The concealed depth for the valve after build the tile should be between 41-72 mm.



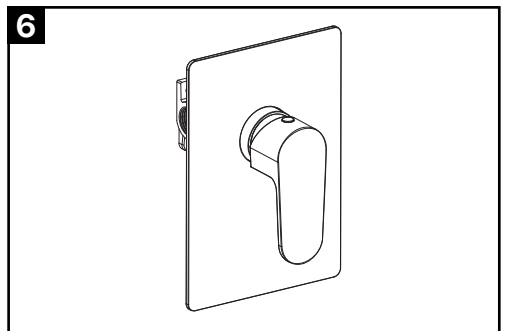
3 Connect the water pipe and adjust the concealed valve at a horizontal position and fully tighten the retaining nut.



4 Install the tiles.

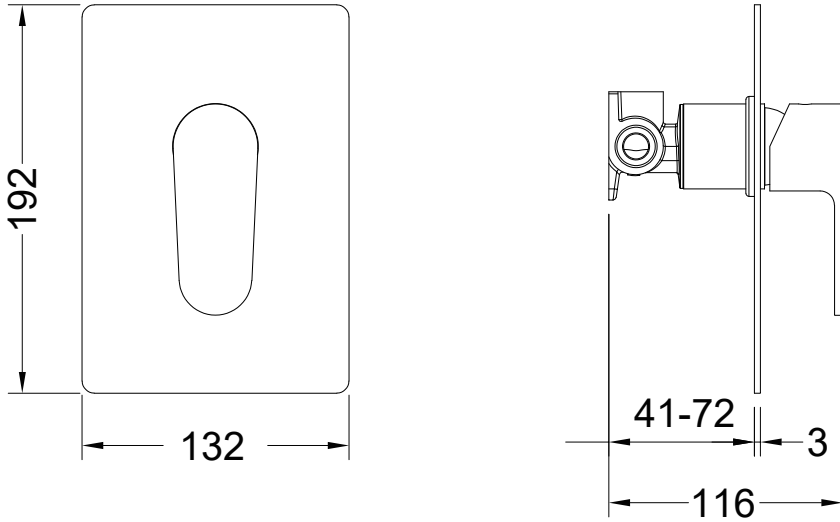


5 Remove the protection cover, and apply waterproof sealant to the edge of tile.



6 Install the trim plate and handle accordingly.

Dimension



Cleaning and care

Our Kitchen and bathroom products are made of solid brass to comply with the needs of the market with regard to design and functionality. To avoid damage to the product, it is necessary to take proper care of it.

Clean the faucet often with a soft cloth to keep it looking like new. For heavy cleaning you can use mild liquid detergents or non-abrasive liquid polisher. Rinse with water and dry with a soft cloth. Avoid abrasive cleaners, steel wool and harsh chemicals as these will dull the finish and void your warranty.