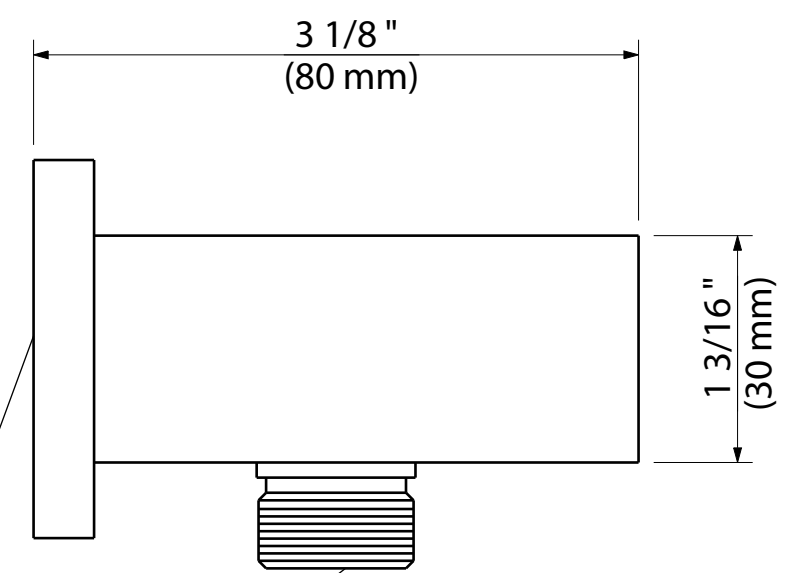


1/2 in. FNPT



G1/2